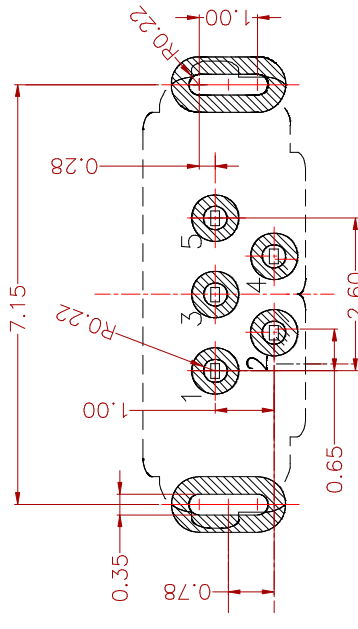
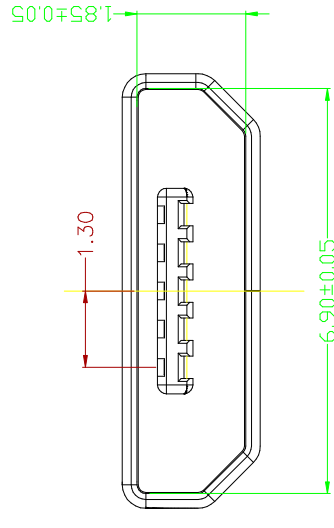


Note:

1. Material:
  - 1.1 Housing: High temperature thermoplastic with g.f, UL94v-0
  - 1.2 Contact: copper alloy, t=0.15mm
  - 1.3 Shell: SUS201, t=0.25mm
2. Specification:
  - 2.1 Current rating: 1 A Max.
  - 2.2 Dielectric withstanding voltage: 100 V(ac) for 1 min.
  - 2.3 Contact resistance: 30 MΩ Max.
  - 2.4 Insulation resistance: 100 MΩ Min.
  - 2.5 Total mating force: 3.57 Kgf Max.
  - 2.6 Total unmating force: 1.0 Kgf Min
  - 2.7 Temperature range: -30°C~80°C



**RECOMMENDED PCB LAYOUT**



# 深圳市虹康科技有限公司

虹康科技

图纸名称:	MICRO 5P/F B-TYPE 180插板脚长2.0无导位		
图纸类型:	产品工程图		
设计:	zhuyin	2011.07.21	产品料号 SHK-20031
审核:			视图
角度	±1.00°		版本号: A/0

尺寸	允许公差
X.	±0.50
X	±0.20
.XX	±0.10
.XXX	±0.03
角度	±1.00°