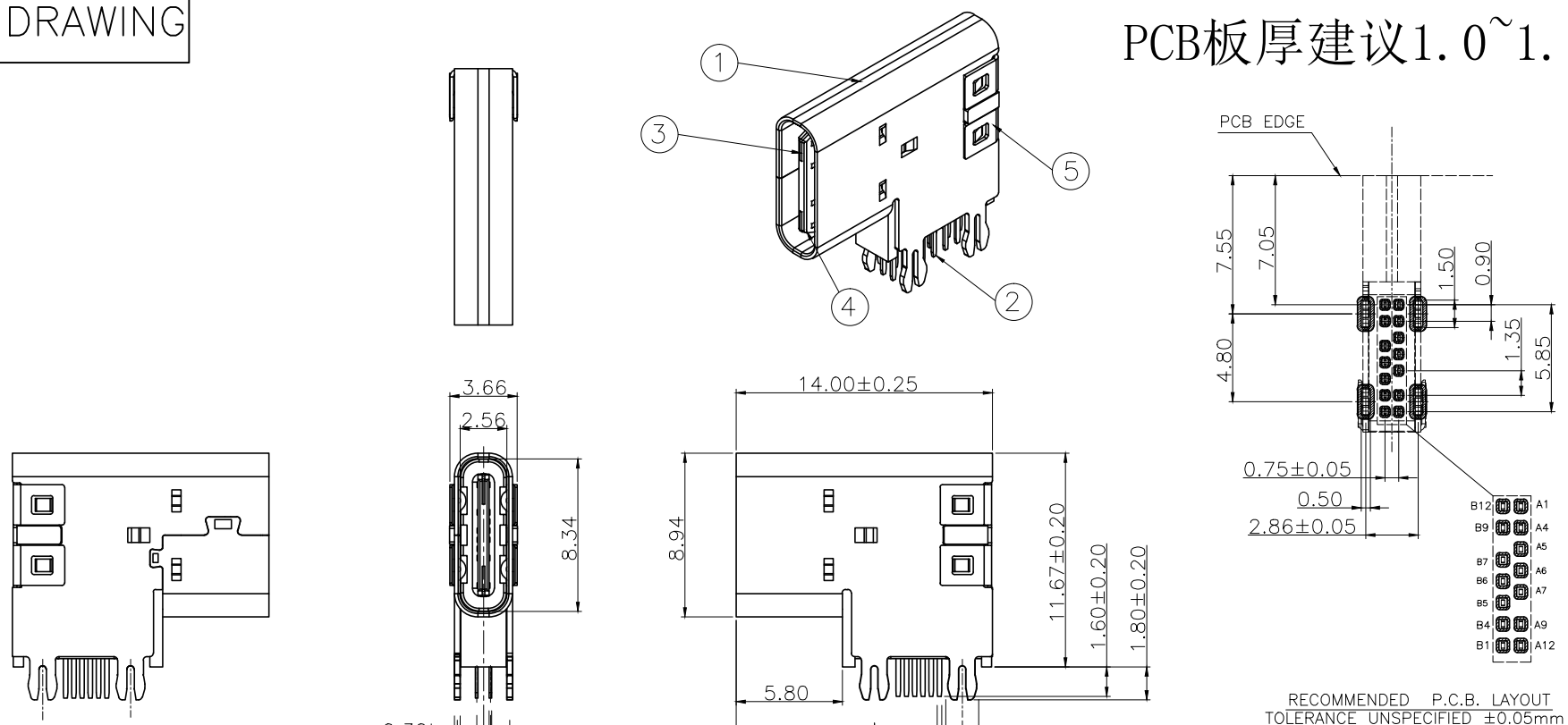


SHK-31013  
CUSTOMER DRAWING

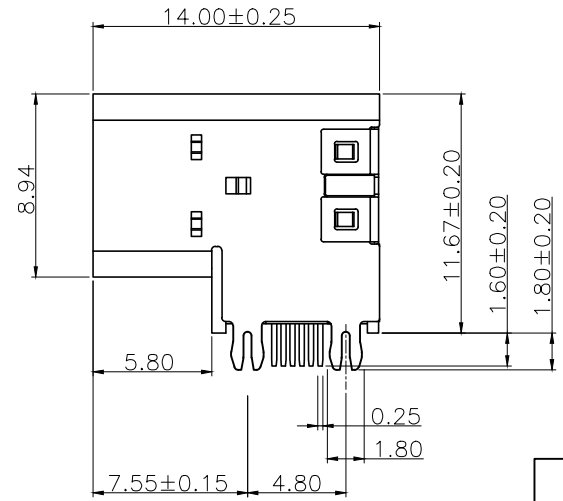
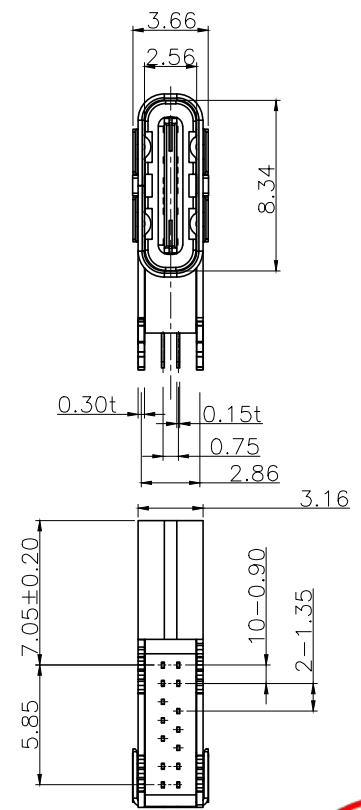
PCB板厚建议1.0~1.2MM



RECOMMENDED P.C.B. LAYOUT  
TOLERANCE UNSPECIFIED ±0.05mm

NOTE :  
TC02FD014SX01ZA

1. Seletive Plating
  - S1:5u" Gold In Contact Area
  - 100u" Tin In Tail Area
  - S2:0.8u" Gold In Contact Area
  - 100u" Tin In Tail Area
  - S3:10u" Gold In Contact Area
  - 100u" Tin In Tail Area
  - S4:15u" Gold In Contact Area
  - 100u" Tin In Tail Area
  - S5:30u" Gold In Contact Area
  - 100u" Tin In Tail Area



A1	GND	B12	GND
A4	VBUS	B9	VBUS
A5	CC1	B7	DN2
A6	DP1	B6	DP2
A7	DN1	B5	CC2
A9	VBUS	B4	VBUS
A12	GND	B1	GND
PIN	SIGNAL NAME	PIN	SIGNAL NAME

7				
6				
5	COVER	STAINLESS STEEL	—	Ni Plated
4	TYPE C MD	HIGH TEMP	BLACK	UL 94V-0
3	CENTER PIECE	STAINLESS STEEL	—	NO Plated
2	TYPE C TERMINAL	COPPER ALLOY	—	Gold Plated
1	SHELL	STAINLESS STEEL	—	Ni Plated
NO.	DESCRIPTION	MATERIAL	COLOR	REMARK

深圳市虹康科技有限公司



PART NO. TC02FD014SX01ZA		DRAW	
DRAW NAME TYPE C 2.0母座14PIN 90度侧插(垫高2.6)带后盖		DESIGN	
DRAW NO. SHK-31013		CHECK	
UNIT mm		APPRO	
SCALE 1:1	PAGE 1of1	VIEW	
ECN(DCN) NO.	REV.	DESCRIPTION	DATE
1	2	3	4

30~	±0.50
10~30	±0.30
~10	±0.15
ANGLES	±2°
GENERAL TOLERANCE UNLESS OTHERWISE NOTED	

17-09-12

LUI

APPRO.

JOAN

DRAW

DESIGN

CHECK

APPRO

PART NO. TC02FD014SX01ZA

DRAW NAME TYPE C 2.0母座14PIN 90度侧插(垫高2.6)带后盖

DRAW NO. SHK-31013

UNIT mm SCALE 1:1 PAGE 1of1 VIEW

ECN(DCN) NO.

REV.

DESCRIPTION

DATE

CHANGE

APPRO.

JOAN

ANGLES

APPRO

UNIT

mm

SCALE

1:1

PAGE

1of1

VIEW

