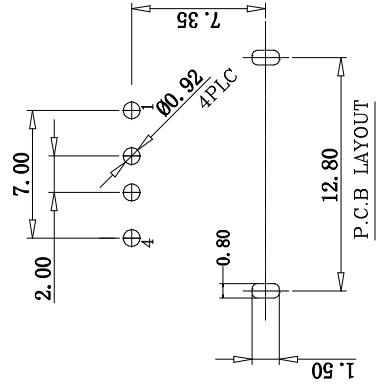
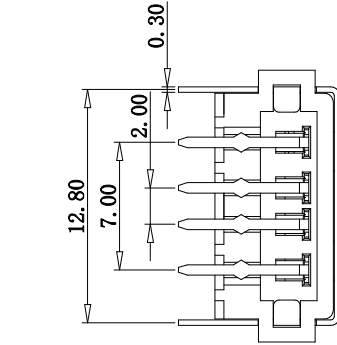
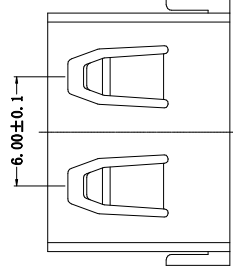
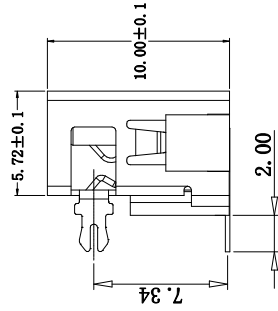
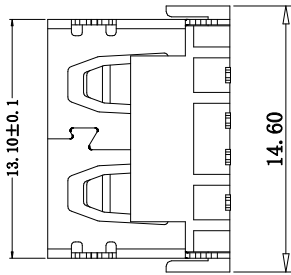


SECTION A-A



**规格说明: Specifications:**  
**电气特性: Electrical:**

1. 额定电流: Current Rating  
1.5A/contact terminal
2. 额定电压: Voltage Rating  
30V DC
3. 接触阻抗: Contact Resistance  
30 milliohms MAX
4. 耐电压: Dielectric Withstanding Voltage:  
500 V AC AT Sea Level
5. 绝缘阻抗: Insulation Resistance:  
1000MEGA ohms MIN

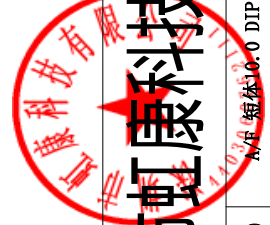
**物理性能: Mechanical:**

1. 插拔力: Connector Mate and Unmate Force  
Mate force: 3.57kgf (MAX)  
Unmate force: 1.02kgf (MIN)
2. 端子保持力: Terminal Retention  
1.2kgf (MIN)

**原材料: Material:**

1. 塑胶: Housing:  
Hing Temperature Thermoplastics,  
UI 94V-0 PBT White/Black
  2. 端子: Contact: Copper Alloy C2680
  3. 外壳: Shell: Copper Alloy C2680/SPCC
- 电镀: Finish:**
1. 端子: Contact: Plated Gold in Mating Area;  
Tin On Solder Tails
  2. 外壳: Shell:  
Nickel Plating

# 深圳市虹康科技有限公司



品名 (ITEM NO) N/F 短体10-0 DIP (两脚无卷边H=6.8)

料号 (PART NO) SHK-20096

模号 (MODEL NO) A008-II-2

图号 (DWG NO)		单位 (UNIT): MM
版本 (REV)	A/0	比例 (SCALE) 1:1
日期 (DATE)		
设计 (DESIGN)		未注公差
审核 (CHECKED)		TOLERANCE UNSPECIFIED
核准 (APPROVED)		X.X ±0.30
		X.XX ±0.20
		X.XXX ±0.10
		X.X° ±5°
		X.X' ±2°