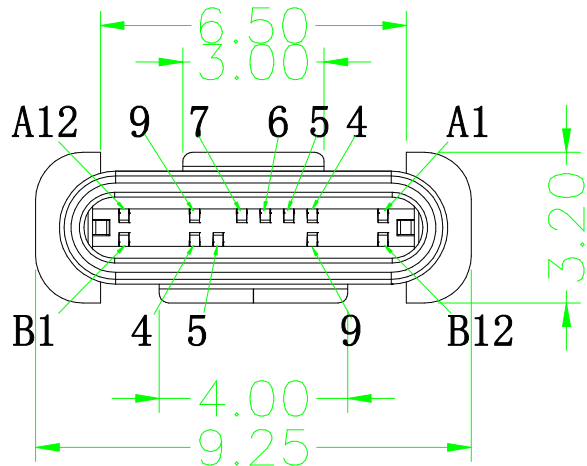
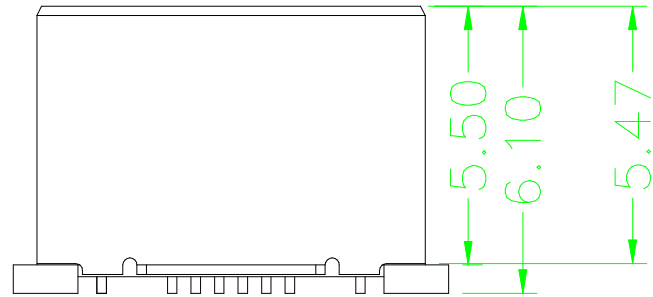
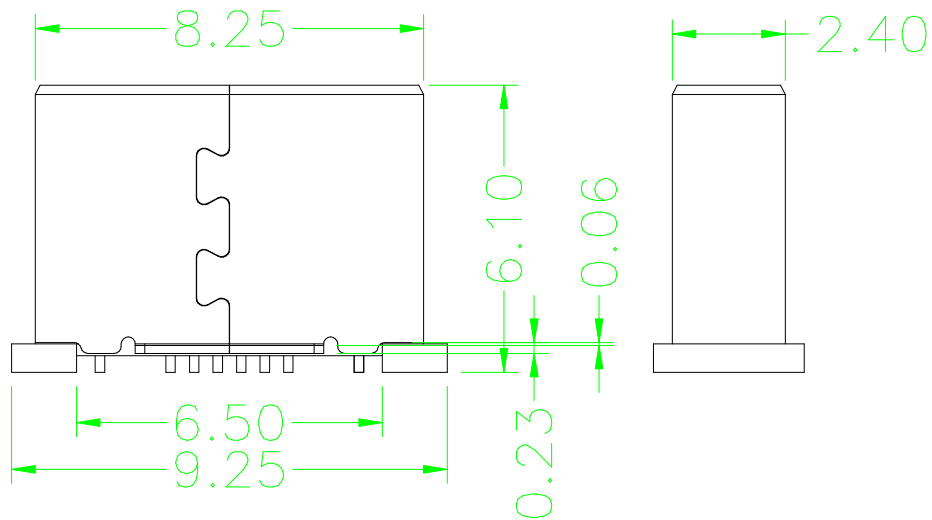
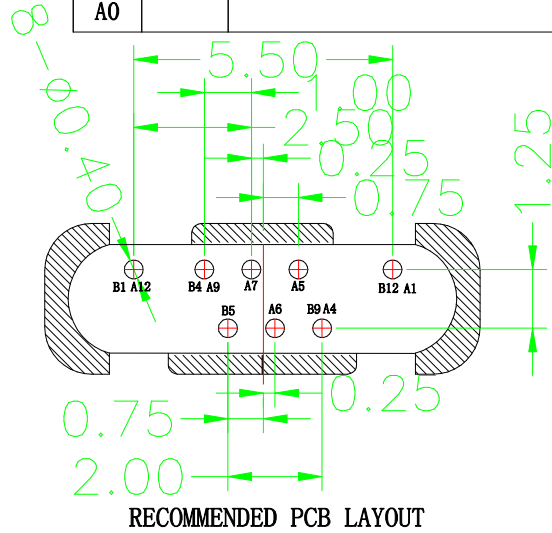


客户图



REV	LTR	DESCRIPTION	DATE	APPROVED
A0			20160406	LTY



Specification:

1. Electrical Characteristics:

Contact Current Rating: 0.5 A
 Dielectric Withstanding Voltage: AC 100V.
 Insulation Resistance: 100 MΩ Min.
 Contact Resistance: 50 mΩ (Max)

2. Material & Plating:

Shell: SUS
 Plating: Nickel
 Terminal: Phosphor Bronze T=0.2mm
 Plating: Gold/Tin
 Housing: LCP

TOLERANCES		TITLE:
.X	±0.30	
.XX	±0.20	USB TYPE-C/M 简易短体公头
.XXX	±0.10	DRAWING NO. : SHK-31019
ANGLES ±1.00°		
DRAWN: LTJ		REV. : A/0
		SIZE: A4
		UNIT: M M
		SCALE: 1 : 1
		SHEET: 1 / 1