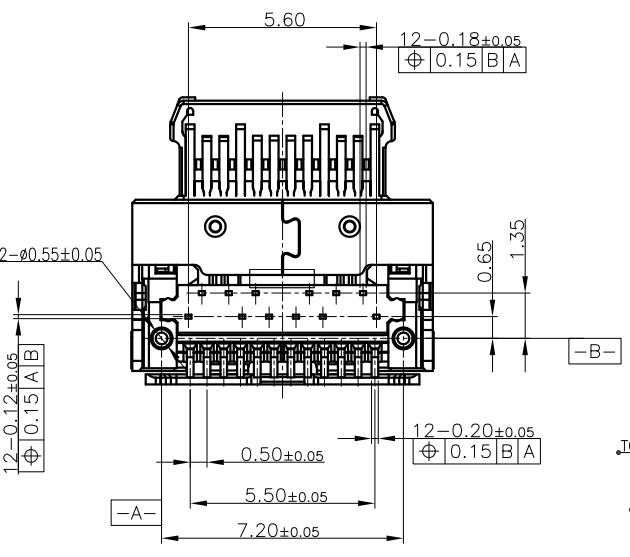
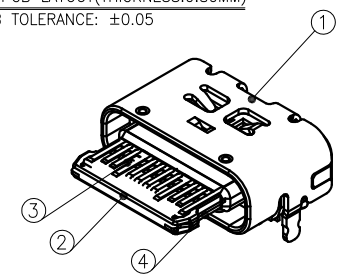
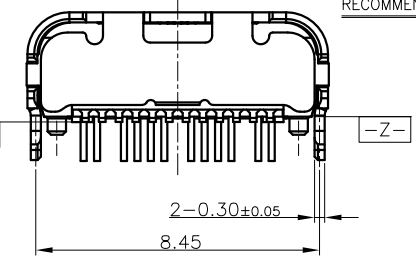
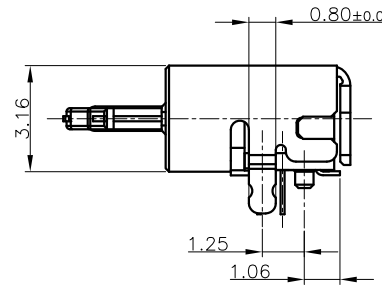
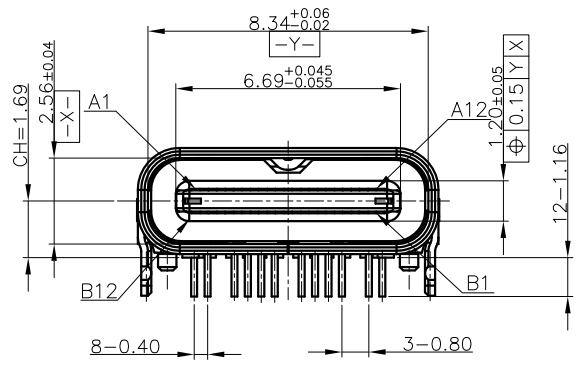
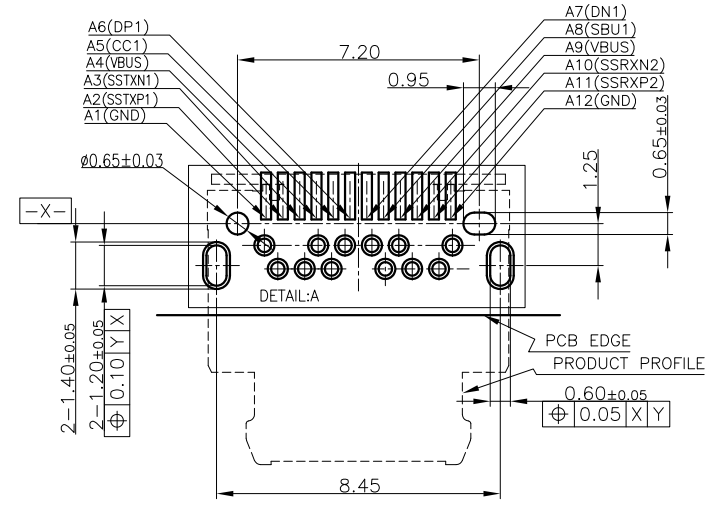
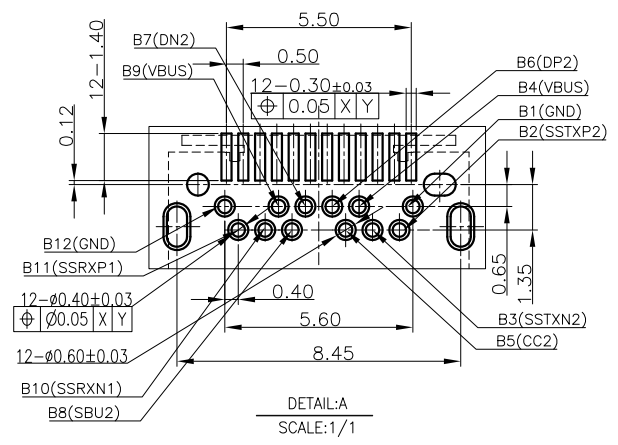
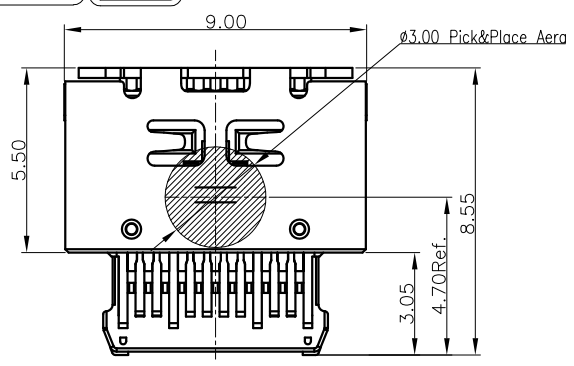




REV.	ECN NO OR DESCRIPTION	REVISED	DATE
A	PROPOSE ONLY	ERIC	2018.02.08



SPECIFICATION:

1.ELECTRICAL CHARACTERISTICS:

1.1 CURRENT RATING: 1.5A/Pin MAX(A4,A9,B4,B9)
1.25A/Pin MAX(A1,A12,B1,B12),0.25A(OHER PIN)

1.2 CONTACT RESISTANCE: 40 MILLIONHM MAX.

1.3 DIELECTRIC WITHSTANDING VOLTAGE: 100 VAC r.m.s

1.4 INSULATION RESISTANCE: 100 MEGOHMS MIN.

2.MECHANICAL CHARACTERISTICS

2.1 INSERTION FORCE: 5~20N

2.2 EXTRACTION FORCE: Initial:8~20N;Durability:6~20N(1000cycles);

2.3 DURABILITY:10,000CYCLES

3.ENVIRONMENTAL CHARACTERISTICS

3.1 TEMPERATURE RANGE: -40 °C ~ 85 °C

3.2. IR REFLOW:

THE PEAK TEMPERATURE ON THE BOARD SHALL BE MAINTAINED FOR 10 SECONDS AT 260°C.

4.PART NO.:

TCR43-321112402-11

TC=TYPE.C CONN.
R=RECTACLE
Product Order
32:HEIGHT ON BOARD 3.2mm
1=BLACK HOUSING
1=WITH POST
11= Services NO.
02=3u" Au Plating On Contact Aera
Pin NO. 24=24Pin

Part NO. Detailed List

ITEM	P/N	COLOUR
1	TCR43-32112402-11	Black
2	TCR43-32112402-12	White

④	Plate	1	Stainless stell	Clean
③	Contact	24	Copper Alloy	Ni 50u" Min. overall, 5u"Min. plating at contact area, GF and termination.
②	Housing	1	LCP	Molded Color: White&Black
①	Shell	1	Stainless stell	Ni 10u" Min. overall, Gold hash at termination.
Item	Description	QTY.	Material	Finish

UNLESS OTHERWISE SPECIFIED TOLERANCES

深圳市虹康科技有限公司

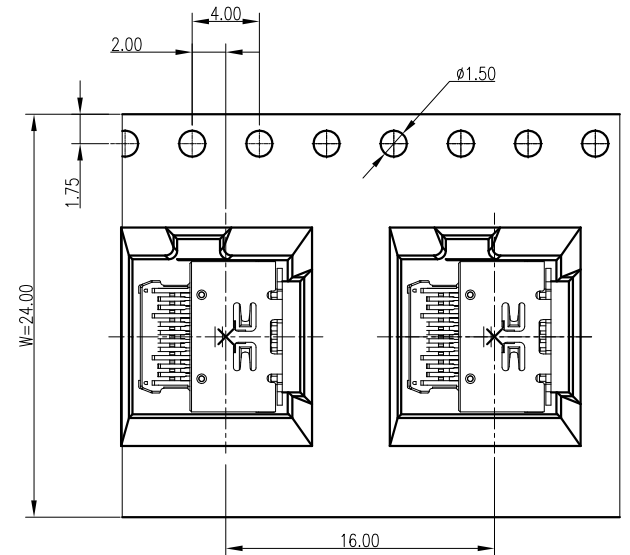
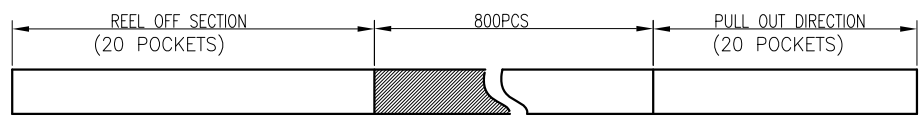
DECIMALS: ANGLES:

X	:±0.5	X	:±2°
X.X	:±0.30	X.X	:±1°
X.XX	:±0.20		
X.XXX	:±0.10		

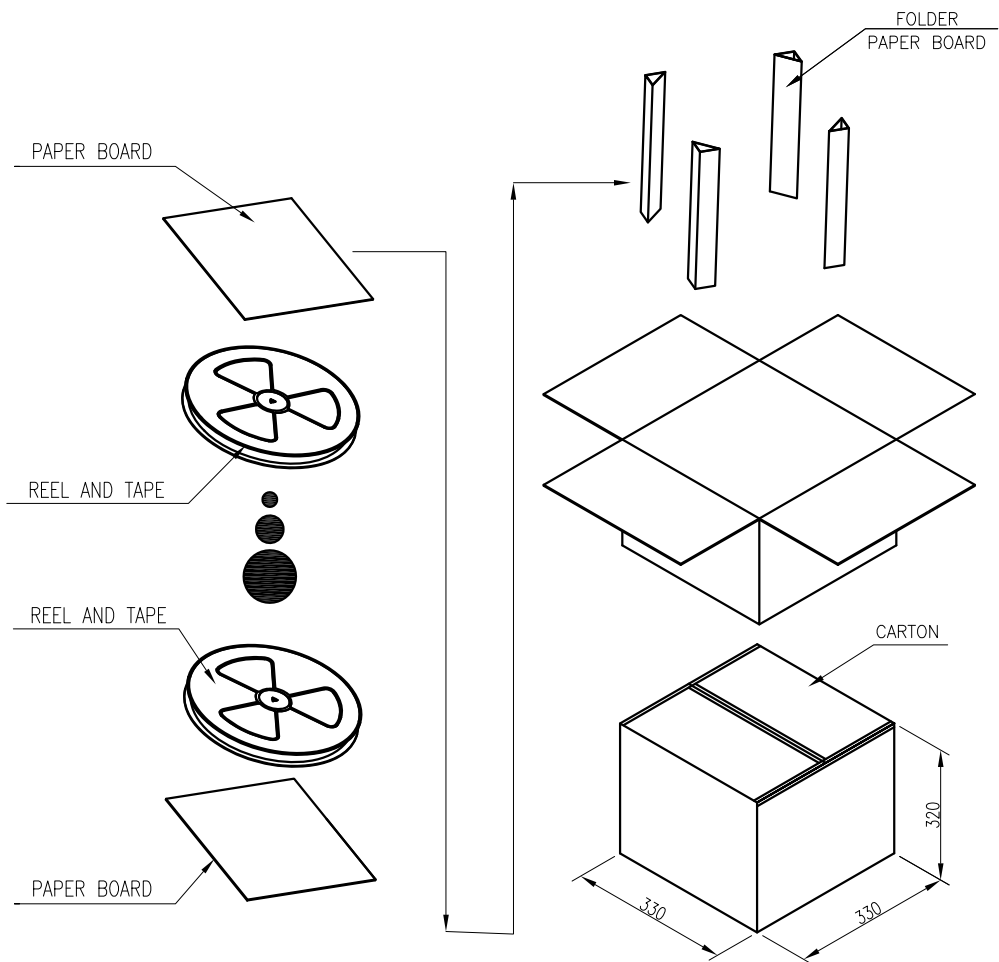
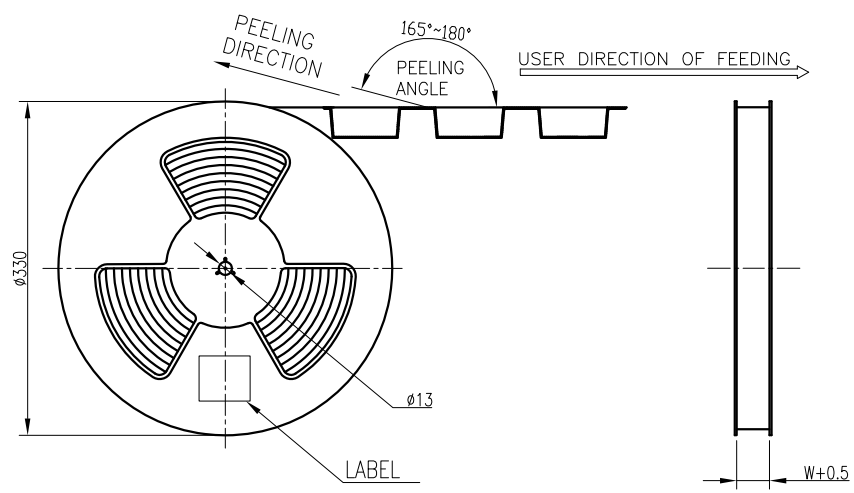
TITLE	Type.C 24Pin DIP+ SMT CONN. RECPTACLE
DWN	chenjun PART NO. TCR43-32112402-1X
CHKD	chenjun SCALE:1:1 UNIT: mm
APVD	Kevin.d SIZE: A4 SHEET:1OF1 REV: A
DRAW NO.	C-DWG-TCR43-01 CUSTOMER COPY



REV.	ECN NO OR DESCRIPTION	REVISED	DATE
A	PROPOSE ONLY	ERIC	2018.02.08



← PRODUCT PACKAGING DIRECTION
 CUSTOMER TO USE DIRECTION →



CONN. PART NO.	CONN. QTY./REEL	REEL QTY./CARTON	CONN. QTY./CARTON
TCR43-32112402-1X	800	10	8000 PCS

UNLESS OTHERWISE SPECIFIED TOLERANCES

深圳市虹康科技有限公司

DECIMALS:	ANGLES:	TITLE	Type.C 24PIN DIP+ SMT CONN. RECPTACLE		
X :±0.5	X :±2°	DWN	chenjun	PART NO.	TCR43-32112402-1X
X.X :±0.30	X.X :±1°	CHKD	chenjun	SCALE:1:1	UNIT: mm
X.XX :±0.20		APVD	Kevin.d	SIZE: A4	SHEET:10F1
X.XXX :±0.10					REV: A
				DRAW NO. C-DWG-TCR43-01	CUSTOMER COPY