



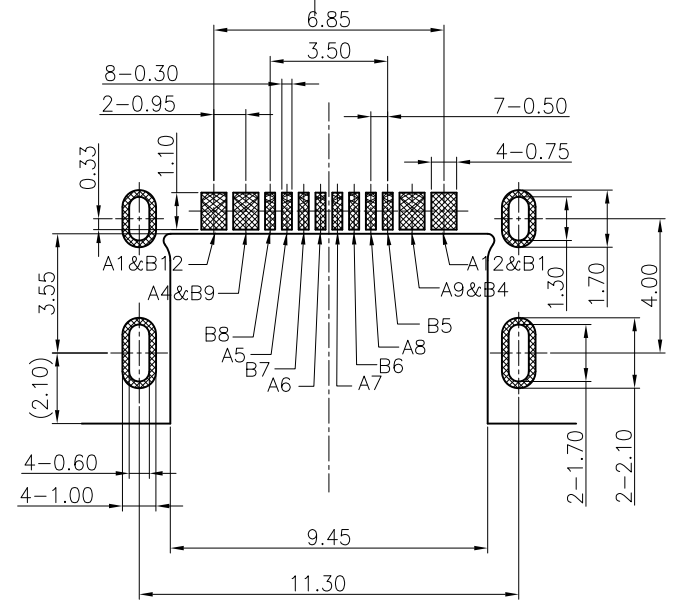
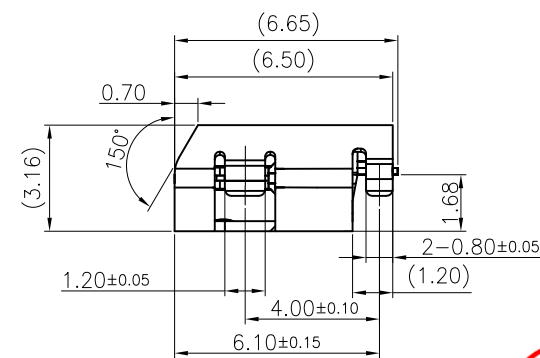
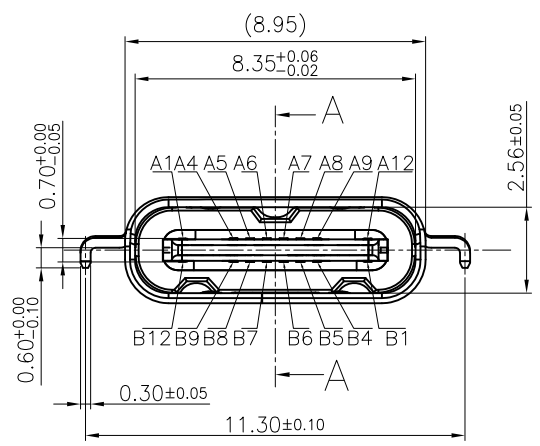
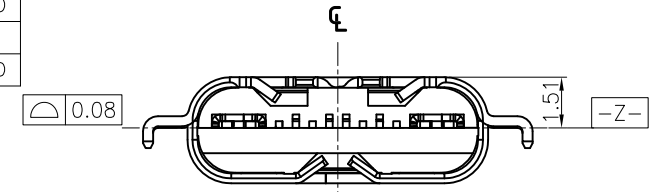
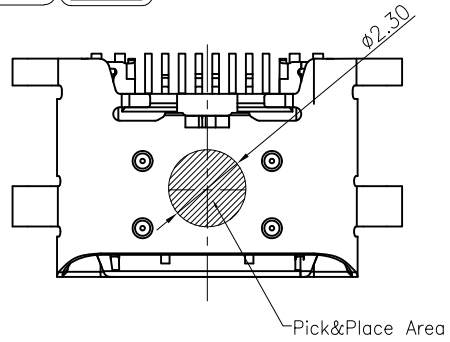
PIN ASSIGNMENTS:

PIN	A1	A4	A5	A6	A7	A8	A9	A12
Signal Name	GND	V _{BUS}	CC1	Dp1	Dn1	SBU1	V _{BUS}	GND
PIN	B12	B9	B8	B7	B6	B5	B4	B1
Signal Name	GND	V _{BUS}	SBU2	Dn2	Dp2	CC2	V _{BUS}	GND

NOTES:

- ELECTRICAL CHARACTERISTICS:
 - CONTACT CURRENT RATING:
10A FOR VBUS PIN AND GND PIN.
0.25A MIN FOR ALL OTHER TERMINALS.
 - CONTACT RESISTANCE:
30MILLIOHM MAX FOR VBUS AND GND CONTACTS.
50MILLIOHM MAX FOR ALL OTHER CONTACTS.
 - DIELECTRIC WITHSTANDING VOLTAGE:100 VRMS AC MIN.
 - INSULATION RESISTANCE:100 MEGOHMS MIN.
- MECHANICAL CHARACTERISTICS:
 - CONNECTOR INSERTION FORCE:5~20N.
AT A MAXIMUN RATE OF 12.5MM PER SECOND.
 - CONNECTOR EXTRACTION FORCE:8~20N.
AT A MAXIMUN RATE OF 12.5MM PER SECOND.
 - DURABILITY:10000 CYCLES.
 - OPERATING TEMPERATURE:-55°C TO +85°C.
- RECOMMENED PROCESS: IR REFLOW 260°C,3~5SECONDS.

REV.	ECN NO OR DESCRIPTION	REVISED	DATE
A	PROPOSE ONLY	ERIC	2017.03.12



RECOMMENDED P.C.B LAYOUT (COMPONENT SIDE)

PCB THICKNESS: 0.80±0.05mm
DEFAULT TOLERANCE: ±0.05mm



4	SHELL	1PCS	SUS304 1/2H T=0.30mm	80u" MIN SOLDERABLE NICKEL
3	CONTACT	1SET	C18400 R540 T=0.20mm	GOLD 30U" Min PLATED ON CONTACT AREA AND GOLD 2U" Min ON SOLDER TAILS OVER 50u" Min NICKEL UNDERPLATING OVERALL
2	MID-PLATE	1PCS	SUS301 1/2H T=0.15mm	NO PLATING
1	HOUSING	1PCS	PA46	BLACK COLOR, UL94 V-0
ITEM	PART NAME	Q'TY	MATERIAL	FINISH

UNLESS OTHERWISE SPECIFIED TOLERANCES

深圳市虹康科技有限公司

DECIMALS:	ANGLES:	TITLE	type.C 16PIN RECPTACLE Conn Asm. LOW PCB 4DIP TYPE L=6.5MM		
X :±0.5	X :±2°	DWN	Johnie	PART NO. SHK-31387	
X.X :±0.20	X.X :±1°	CHKD	Kevin.d	SCALE:1:1	UNIT: mm
X.XX :±0.10		APVD	Simon.Mo	SIZE: A4	SHEET:1OF1
				SHEET:10F1	REV: A
CUSTOMER COPY					

