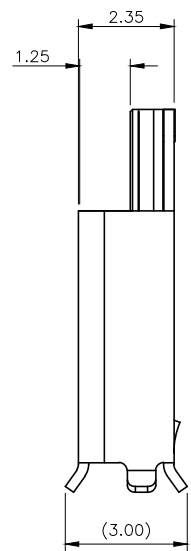
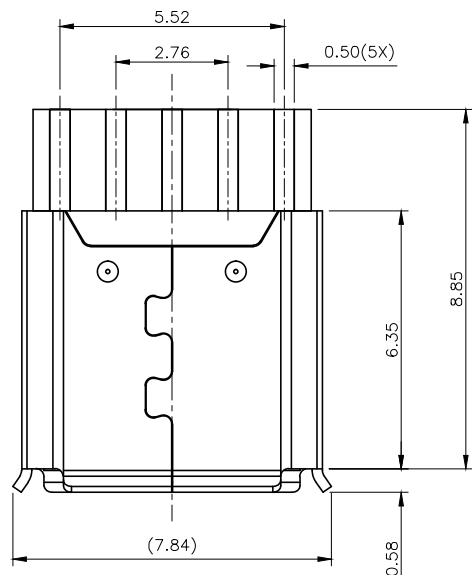
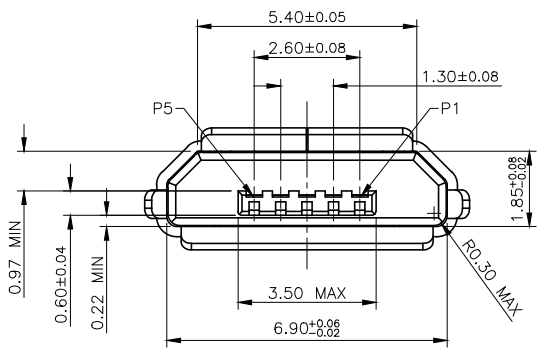




REVISIONS					
REV.	ECN NO.	LOCATION	DESCRIPTION	DATE	DESIGN
X1	N/A		INITIAL RELEASE	2011.11.15	



Pin Number	Signal Name
1	VBUS
2	D-
3	D+
4	ID
5	GND



- NOTES:
- CONTACT CURRENT RATING: 1.0A(SIGNAL PIN2,3,4);1.8A(POWER PIN1,5).
  - CONTACT RESISTANCE: 40mΩ MAX.;
  - INSULATION RESISTANCE: 100MΩ MIN.;
  - DIELECTRIC WITHSTANDING: 100V AC MIN.;
  - DURABILITY: 10,000CYCLES ;
  - CONNECTOR MATING FORCES: 35N (3.57Kgf)MAX.;
  - CONNECTOR UNMATING FORCES: 8N (0.30Kgf)MIN.;
  - PRODUCT MEET THE REQUEST OF THE RoHs, SEE TABLE A:

MATTER	RoHs ( PPM )
Cd	≤ 100
Pb	≤ 1000
Hg	≤ 1000
Cr6+	≤ 1000
PBB	≤ 1000
PBDE	≤ 1000



This document is the property of GETWELL development corporation.

# 深圳市虹康科技有限公司

Unless otherwise specified, Tolerance:  
 X. ±0.30  
 X.x ±0.20  
 X.xx ±0.15  
 X.xxx ±0.10  
 Angles ±3°

DESIGN	DATE
CHECKED	DATE
APPROVED	DATE
PART NO. <b>SHK-20104</b>	
DRAWING NO.	

TITLE: MICRO USB 2.0 B TYPE CUSTOMER DRAWING	REV.: X1	SCALE: 1:1	UNIT: mm
	SIZE: A4	SHEET: 1/1	

ITEM	PART NAME	Q'TY	MATERIAL	DESCRIPTION	REMARK
01	HOUSING	1 PCS	HIGHT TEMPERATURE PLASTIC	BLACK COLOR	UL94V-0
02	CONTACT A	1 PCS	BRASS 0.20T	AU PLATED	
03	SHELL	1 PCS	STAINLESS STEEL 0.25T	NI PLATED	