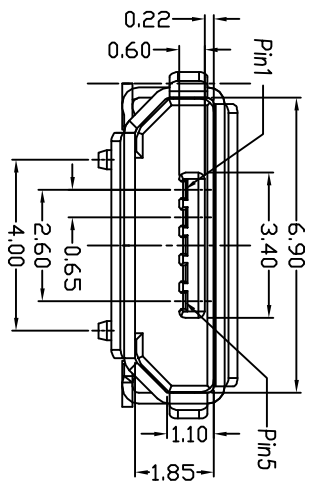
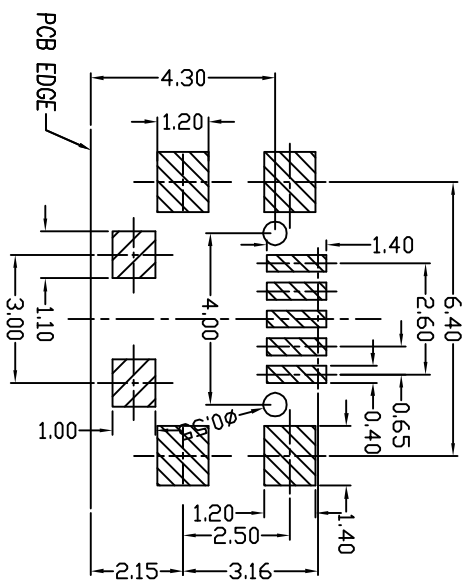
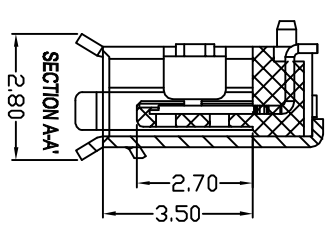
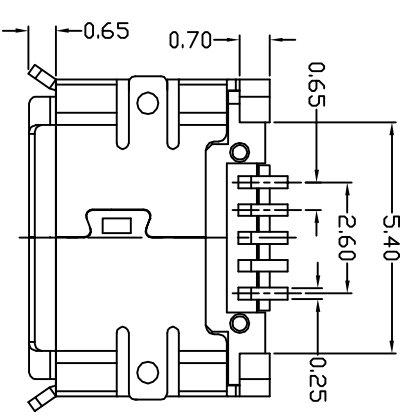
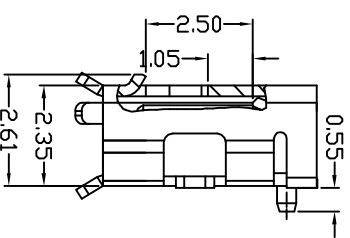
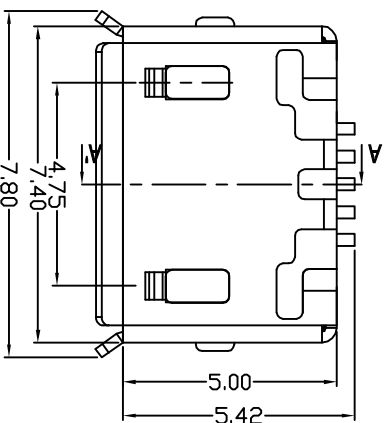
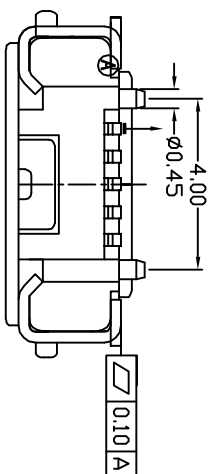


REV.	EQN NO	LOCATIONS	DESCRIPTION	DATE	REVISER	APPD



No.	Nome	Q'ty	Finish
3	Shell	1	N/A
2	Contact	5	N/A
1	Housing	1	N/A

- Notes:
1. Materials:
 - 1.1 Housing: High temperature thermoplastic with g.f: UL94 v-0.
 - 1.2 Contact: copper alloy, t=0.20mm, NI 50U" Gold 1U".
 - 1.3 Shell: copper alloy, t=0.25mm, NI 80U", SN 80U".
 2. Specifications:
 - 2.1. Current rating: 1 A Max.
 - 2.2. Dielectric withstanding: voltage: 100 V(ac) for 1 min.
 - 2.3. Contact resistance: 50 mW Max.
 - 2.4. Insulation resistance: 100 MW Min.
 - 2.5. Total mating force: 3.57 Kgf Max.
 - 2.6. Total unmating force: 1.0 Kgf Min. 0.81~2.05 Kgf Min. after 10000 insertion/extraction cycles
 - 2.7. Temperature range: -30°C~+80°C

PART NO: 1-MD05SMXXX-01	MATERIAL: SEE NOTE	TITLE: 深圳市虹康科技有限公司
MODEL NO:	FINSH: SEE NOTE	Micro usb, USB Type (全脚全脚) 有孔型
UNIT: mm	SIZE: A4	
TOLERANCE UNSPECIFIED		
.x	±0.38	
.xx	±0.25	
.xxx	±0.13	
ANG.	±2°	
DR: ?/?/?	COLOR: SEE NOTE	DWG NO: SHK-20153
CHK:	APP:	SCALE: 1:1
		SHEET: 1/1
		REV: A

