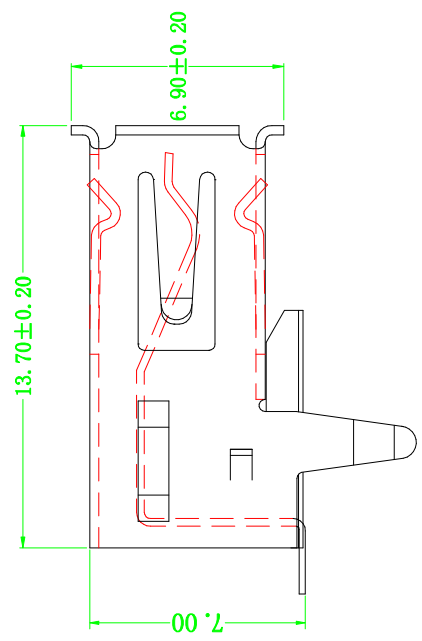


|            |   |   |              |             |
|------------|---|---|--------------|-------------|
| 1          | 2 | 3 | 4            | 5           |
| 文件类型: 产品图面 |   |   | REV. ECN NO. | DESCRIPTION |
|            |   |   | DRWN         | APPD.       |
|            |   |   |              | DATE.       |

A



Specifications:  
Electrical:

- Current Rating: 1.5A/contact terminal, 30V DC
- Voltage Rating: 30 milliohms MAX
- Contact Resistance: 500 V AC AT Sea Level
- Dielectric Withstanding Voltage: 1000MEGA ohms MIN

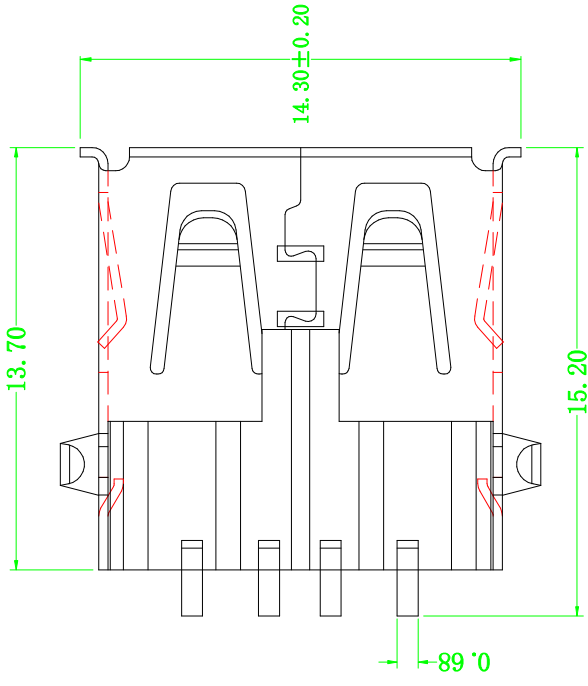
Mechanical:

- Connector Mate and Unmate Force: Mate force: 3.75kgf (MAX), Unmate force: 1.02kgf (MIN)
- Terminal Retention: 1.2kgf (MIN)

Material:

- Housing: Hing Temperature Thermoplastics, UI 94V-0 PBT/LCP White/Black
  - Contact: Copper Alloy C2680
  - Shell: Copper Alloy C2680/SPCC
- Finish:
- Contact: Plated Gold in Mating Area; Tin On Solder Tails
  - Shell: Nickel Plating

B



C

# 深圳市虹康科技有限公司

|                   |                    |                     |                                 |
|-------------------|--------------------|---------------------|---------------------------------|
| UNITS<br>MM       | SCALE<br>1:1       | DR.<br>Aaron        | TITLE<br>USB A/F 90° SMT (弯脚卷边) |
| GENERAL TOLERANCE | CHK.<br>Aaron      | MAT'L:              | DWG NO.: SHK-20079              |
| X. ±0.30          | APPD.<br>PANYUFENG | DATE:<br>2011.06.28 | PART NO.:                       |
| X. X ±0.20        |                    |                     | SIZE<br>A4                      |
| X. XX ±0.10       |                    |                     |                                 |
| X. ° ±3°          |                    |                     |                                 |
| X. X° ±2°         |                    |                     |                                 |

D

1 2 3 4 5 6