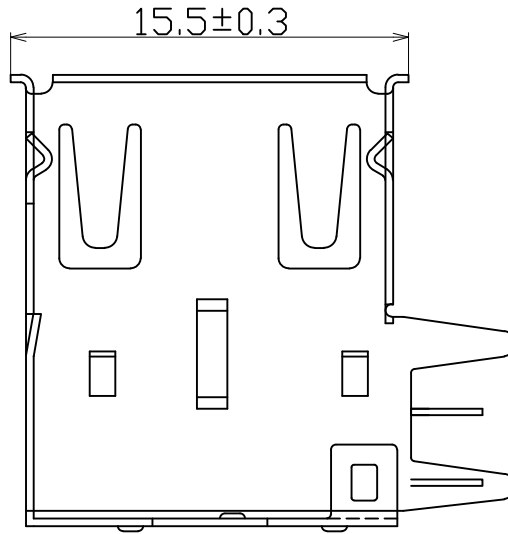
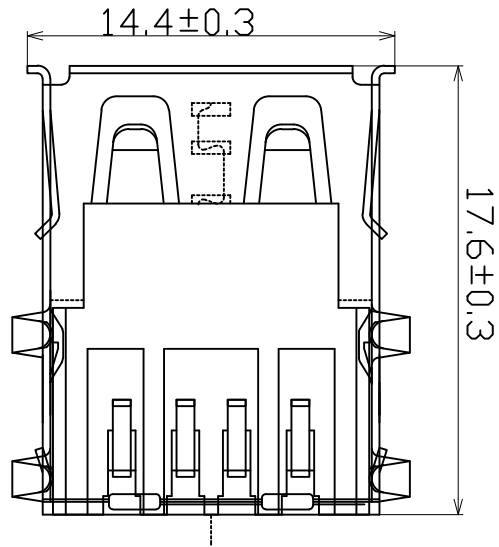
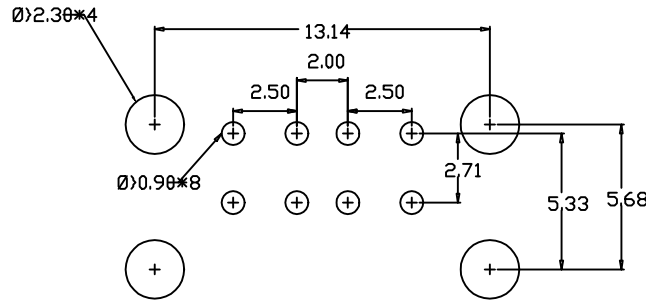
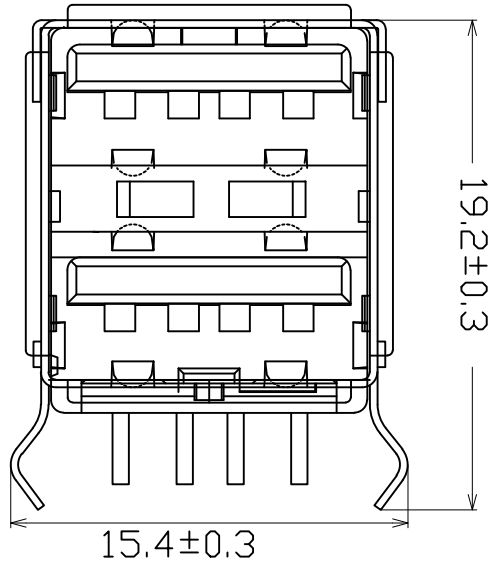


Autodesk



- NOTE:
- MATERIAL:
 - HOUSING: PBT GLASS FIBRE PBT
 - CONTACT: PHOSPHOR BRONZE $T=0.25\text{mm}$
(SURFACE PLATING: $\text{Au}1\mu + \text{Sn}100\mu + \text{Ni}60\mu$)
 - SHEEL: BRASS $T=0.30\text{mm}$
(SURFACE PLATING: $\text{Ni}100\mu \sim 120\mu$)
 - ELECTRIC:
 - CONTACT RESISTANCE: 30 MILLIOHMS MAX
 - INSULATION RESISTANCE: 1000 MEGA OHMS MIN
 - DIELECTRIC VOLTAGE: 500V AC ONE SEC LEVEL
 - OPERATING TEMPERATURE: $-55?? - 105??$



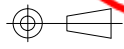
RBCOMMENDBD P. C. B PATTBRN LAY OUT

Autodesk

Autodesk

深圳市虹康科技有限公司



| | | | | | |
|--|--------------------|---|---------------------------|-----------------------|-----------|
| UNLESS OTHERWISE SPECIFIED TOLERANCE .X ± 0.20 .XX ± 0.15 .XXX ± 0.10 ANG. $\pm 2^\circ$ | DRAWN H.Q.huocy |  UNIT MM | TITLE USB AF 双层半包有后盖双弹 | | |
| | APPROVED | | SCALE 3/1 | PART NO. SHK-20119 | REV. A |
| | DATE 2011.03.18 | SIZE A4 | DOC. NO. | | |
| | | | | | |

Autodesk