

规格说明: Specifications:

电气特性: Electrical:

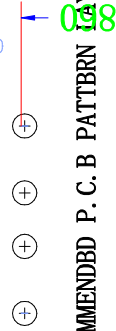
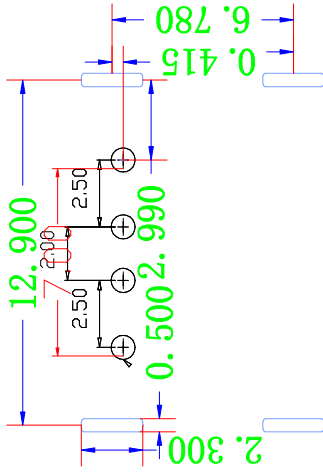
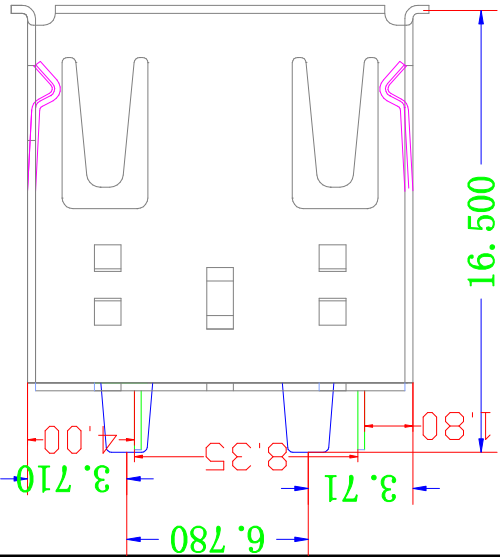
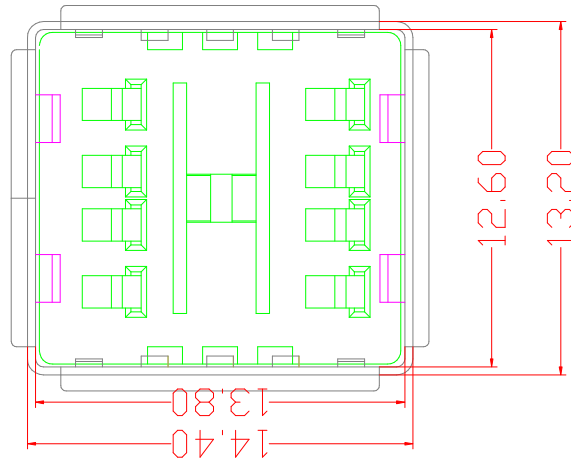
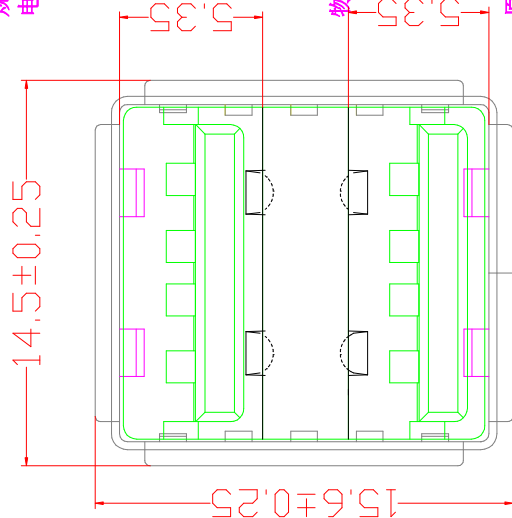
- 1. 额定电流: Current Rating
1.5A/contact terminal
- 2. 额定电压: Voltage Rating
30V DC
- 3. 接触阻抗: Contact Resistance
30 milliohms MAX
- 4. 耐压: Dielectric Withstanding Voltage:
500 V AC AT Sea Level
- 5. 绝缘阻抗: Insulation Resistance:
1000MEGA ohms MIN

物理性能: Mechanical:

- 1. 插拔力: Connector Mate and Umate Force
Mate force: 3.57kgf(MAX)
Umate force: 1.02kgf(MIN)
- 2. 端子保持力: Terminal Retention
1.2kgf(MIN)

原材料: Material:

- 1. 塑胶: Housing:
Hing Temperature Thermoplastics,
PBT White/Black
 - 2. 端子: Contact: Copper Alloy C2680
 - 3. 外壳: Shell: Copper Alloy C2680/SPCC
- 电镀: Finish:
- 1. 端子: Contact: Plated Gold in Mating Area;
Tin In Solder Tails
 - 2. 外壳: Shell: Nickel Plating



RBCOMMENDBD P. C. B PATTBRN 100% DRAWN BY OUT



深圳市虹康科技有限公司

UNLESS OTHERWISE SPECIFIED TOLERANCE	
.X	±0.20
.XX	±0.15
.XXX	±0.10
ANG.	±2°

RBCOMMENDBD P. C. B PATTBRN 100% DRAWN	H. Q. huocuy
APPROVED	
DATE	

UNIT	MM
SCALE	3/1
SIZE	A4

TITLE	USB AF 双层直插14.2MM四脚
PART NO.	SHK-20121
DOC. NO.	
REV.	A