

规格说明: Specifications:

电气特性: Electrical:

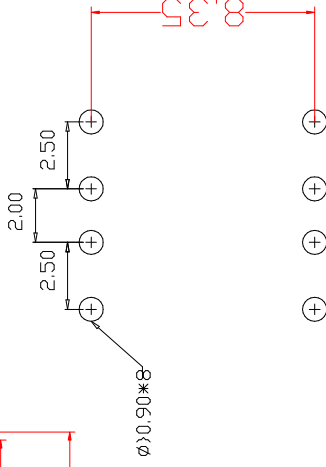
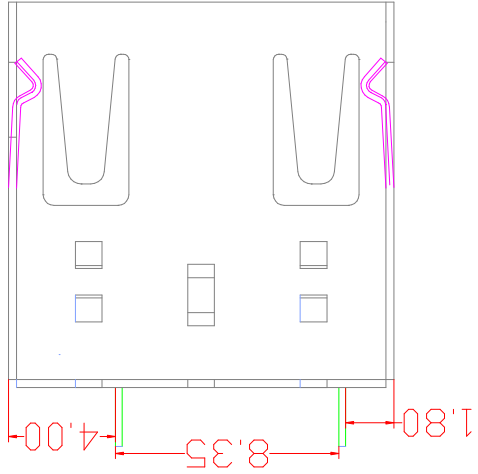
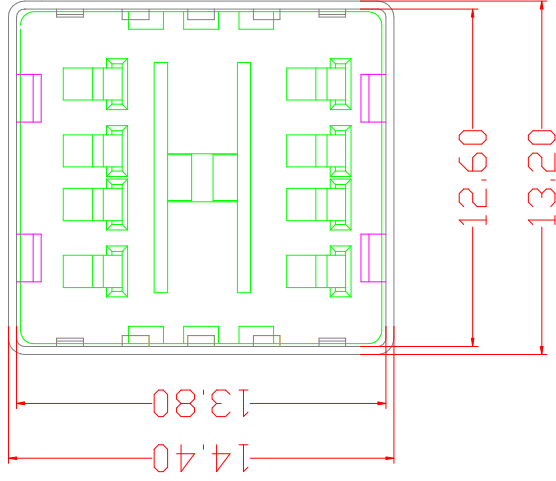
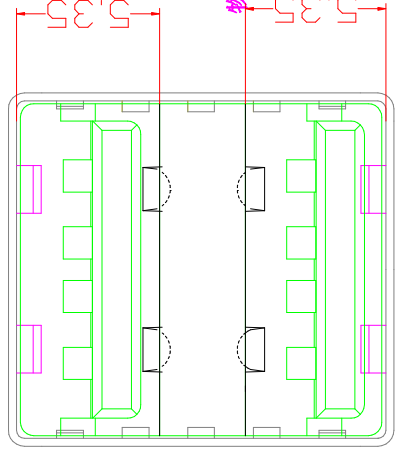
- 1. 额定电流: Current Rating  
1.5A/contact terminal
- 2. 额定电压: Voltage Rating  
30V DC
- 3. 接触电阻: Contact Resistance  
30 milliohms MAX
- 4. 耐压: Dielectric Withstanding Voltage:  
500 V AC AT Sea Level
- 5. 绝缘电阻: Insulation Resistance:  
1000MEGA ohms MIN

物理性能: Mechanical:

- 1. 插拔力: Connector Mate and Umate Force  
Mate force: 3.57kgf(MAX)  
Umate force: 1.02kgf(MIN)
- 2. 端子保持力: Terminal Retention  
1.2kgf(MIN)

原材料: Material:

- 1. 塑胶: Housing:  
Hing Temperature Thermoplastics,  
PBT White/Black
  - 2. 端子: Contact: Copper Alloy C2680
  - 3. 外壳: Shell: Copper Alloy C2680/SPCC
- 电镀: Finish:
- 1. 端子: Contact: Plated Gold in Mating Area;  
Tin On Solder Tails
  - 2. 外壳: Shell:  
Nickel Plating



RECOMMENDED P. C. B. PATTERN LAY OUT

# 深圳市虹康科技有限公司



UNLESS OTHERWISE SPECIFIED TOLERANCE		RB COMMEDED P. C. B. PATTERN LAY OUT	
.X	±0.20	H.Q.huocuy	TITLE
.XX	±0.15	APPROVED	UNIT
.XXX	±0.10	DATE	MM
ANG.	±2°		SCALE
			3/1
			SIZE
			A4
			DOC. NO.
			SHK-20121
			REV.
			A

TITLE		USB AF 双层直插14.2MM无脚直边
-------	--	-----------------------