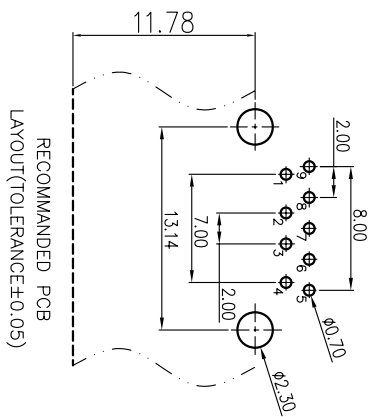
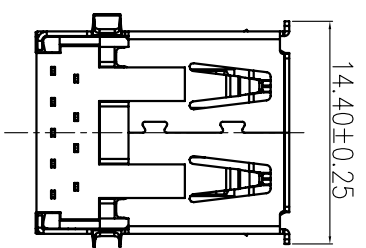
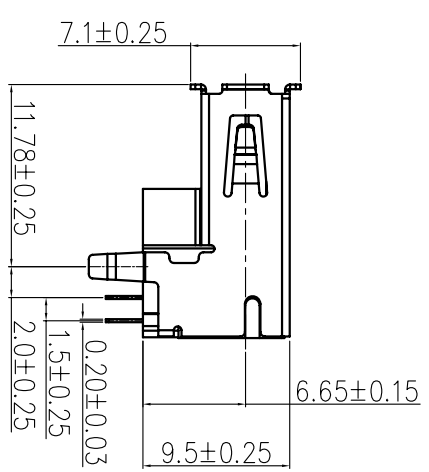
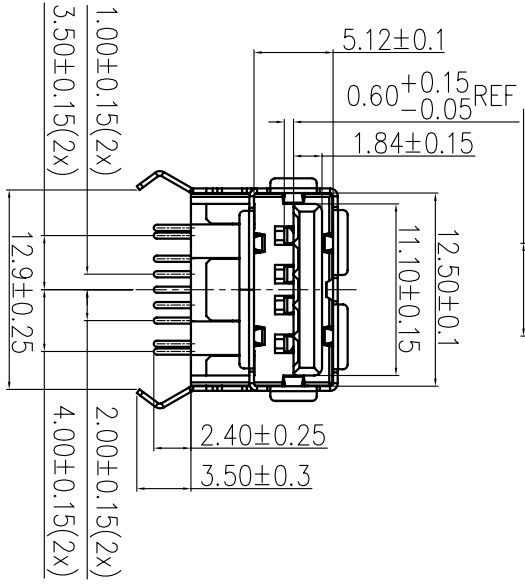
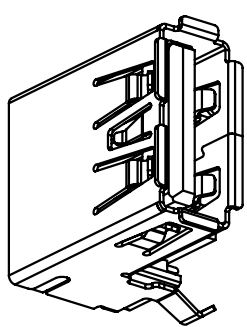
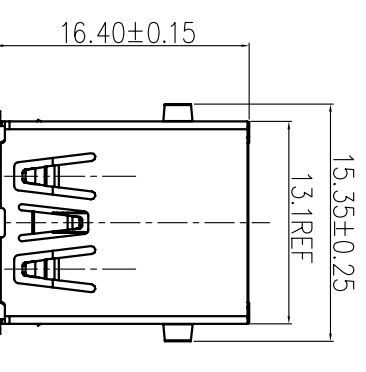


REV.	ECH. NO.	APPD.
A	/	LXQ



- NOTES:
- 1.MATERIAL:
- Housing/Cover:Thermoplastic plastics UL94V-0
 - Contact:Copper Alloy
 - Au 1u" plated on contact area
 - Tin plating on solder tail
 - Nickel under plating over all
 - Shell:Copper Alloy
 - 50u" Nickel plating over all
- 2.Characteristics:
- Rating Voltage : 30V AC.
 - Rating Current:PIN1&PIN4 1.8A MAX Other PINS 0.25A min.
 - Contact Resistance:PIN1&PIN4:30 mΩ MAX. Other PINS: 50 mΩ
 - Insulation Resistance:1000 MΩ MIN.
 - Withstanding Voltage:DC 1000V between adjacent contacts
 - Mating force: 35N MAX
 - Extraction force:10N Min
 - Life test:1500Cycles MIN.
 - Temperature Range: -45C~+80C.
 - The product must be compliance ROHS

- U321-162X-XXXXX
- 1: 铁壳镀镍
 - 3: 半金3u"
 - 5: 铜壳镀镍
 - 1: 半金1u"
 - 3: 半金3u"
 - 5: 半金5u"
 - 8: 半金15u"
 - 9: 镀全金1u"
 - 4: 镀全亮锡
 - 1: PA66
 - 2: PBT
 - 6: LCP
 - 1: 吸塑盒
 - 2: 吸塑管
 - 3: 载带
 - 6: 载带+贴麦拉
 - 1: 黑色
 - 2: 白色
 - 7: 蓝色300C
 - R:RoHS
 - 1:RoHS UL94V-0

深圳市虹康科技有限公司

TOLERANCE UNLESS OTHERWISE SPECIFIED	XXX ±0.10	XX ±0.20	X ±0.30	X' ±3	XX' ±2
APPROVED	PART NAME: USB 3.0 AF 90度加高型9.50				
CHECKED	PART No: SHK-30141				
DRAWN	PROJECTION: mm				
DATE	2014.10.10				

DATE	2014.10.10	UNIT:	mm	SCALE	1:1	SHEET	10F1	REV.	A
------	------------	-------	----	-------	-----	-------	------	------	---