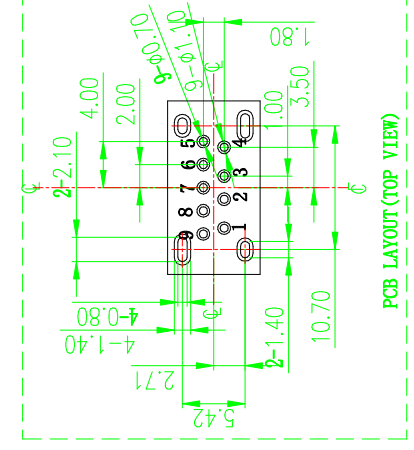
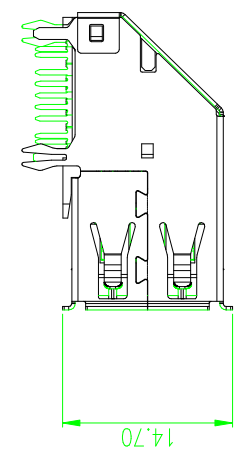
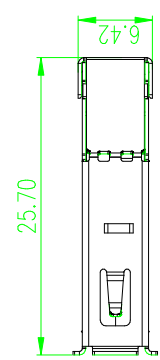


RoHS
Compliant

A

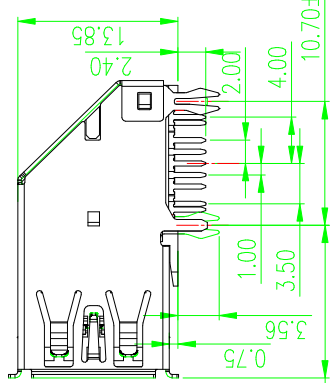
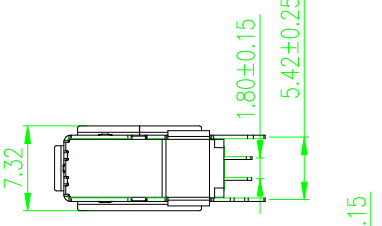
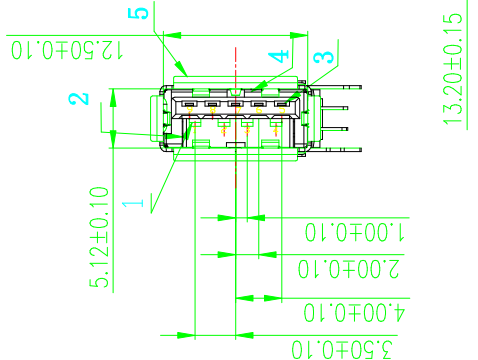


B



SPECIFICATIONS:
 Contact current Rating:
 18 Amperes for pin1&pin4
 0.25 Amperes other contacts
 Dielectric Withstanding Voltage:AC 100V(RMS)
 Insulation resistance:100Megaohms Minimum.
 Contact Resistance:
 30mΩ Max for pin1&pin4
 50mΩ Max for other contacts
Mechanical Characteristics:
 Mating Force:35 Newtons,Maximum
 Unmating Force:10 Newtons,Minimum.
 8N Min After Durability
MATERIAL:
 Housing: PBT+30%GF 94V-0 COLOR:BLUE
 Contact: copper alloy(T=0.25mm)
 Shell: SUS
PLATING:
 Contact: Au Plated on contact area
 Tin Plated on solder area
 Nickel underplating over all
 Shell: Nickel Plated
 operating Temperature:-55to+85°

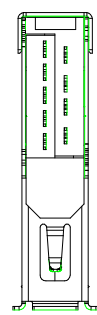
C



Pin Number	Signal Name	Pin Number	Signal Name
1	VBUS	5	SSRX-
2	D-	6	SSRX+
3	D+	7	GND
4	GND	8	SSTX-
	Shell	9	SSRT+

ITEM	PART NAME	Material	Q	TY	REMARK
1	4P Semi-manufactured Goods	HT-wetting LCP	1		Block &Blue UL94V-0
2	manufactured Goods	Ct+H+Inco+OPPER ALLOY	4		T=0.25 Plating Gld/Tin
3	5P Semi-manufactured Goods	HT-wetting LCP	1		Block &Blue UL94V-0
4	manufactured Goods	Ct+H+Inco+OPPER ALLOY	5		T=0.25 Plating Gld/Tin
5	Shell	SUS304-1/2H	1		T=0.3

D



深圳市虹康科技有限公司

REV A0
 EC-
 DESCRIPTI-
 DRA-
 CHECK
 APPD
 DATE

U-ITS	SCALE	REV	SHEET	SHEET	
mm	1:1	A0	1-F 1		
DATE		DATE		TITLE:	
2011 02 11		2011 02 11		USB 3.0 A F 侧插90度 SHK-30131	
GE-ERAL	DR	LI JI LI-		FI-ISH	
T-LERA-CE	CHK	U U UE JU		SEE TABLE	
0 ±0.30	0 ±0.25	Kerth		SEE TABLE	
0 ±0.25	0 ±0.25	APPD		PART-0	
0 ±0.25	0 ±0.25	APPD		SEE TABLE	
0 ±0.25	0 ±0.25	APPD		SIZE	
0 ±0.25	0 ±0.25	APPD		A4	

1

2

3

4

5

6