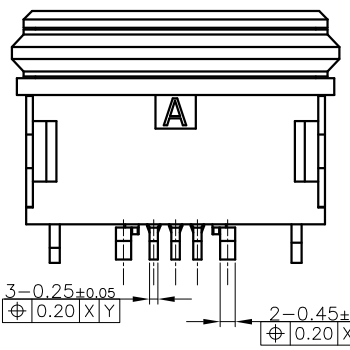


PIN ASSIGNMENTS

PIN NUMBER	SIGNAL NAME
Pin1	VBUS
Pin2	D-
Pin3	D+
Pin4	ID
Pin5	GND



**SPECIFICATION:**

- ELECTRICAL CHARACTERISTICS:
  - 3.2 CURRENT RATING: 3A/PIN(POWER PIN pin1&pin5). 0.25A/PIN(SIGNAL PIN).
  - CONTACT RESISTANCE: 40 MILLIONHM MAX.
  - DIELECTRIC WITHSTANDING VOLTAGE: 100 VAC r.m.s
  - INSULATION RESISTNACE: 100 MEGOHMS MIN.
- MECHANICAL CHARACTERISTICS
  - INERT FORCE: 35N MAX.
  - EXTRACTION FORCE: 8N MIN.
  - DURABILITY: 10,000CYCLES
- ENVIRONMENTAL CHARACTERISTICS
  - TEMPERATURE RANGE: -40 °C ~ 85 °C
- PART NO.:
 

MW R 03-391205 01-01

01= Services NO.

MU=MICRO USB  
 R=RECEPTACLE  
 Product Order  
 .39:HEIGHT ON BOARD 3.90mm  
 1=BLACK HOUSING  
 2=WITHOUT POST  
 01= Services NO.  
 01=1u" Au Plating On Contact Area  
 Pin No. 05=5Pin

NO.	DESCRIPTION	QTY	MATERIAL	REMARK
⑦	Oval ring	1	Rubber	Black
⑥	Glue	1	-----	Black
⑤	U-shaped frame	1	Copper alloy or stainless	Nickel plated
④	Inner shell	1	Copper alloy or stainless	Nickel plated
③	Terminal	5	Copper alloy, 0.15t	Gold Plated On Contact Area.
②	Outer shell	1	High temperature thermoplastic	Black
①	Body	1	High temperature thermoplastic	Black

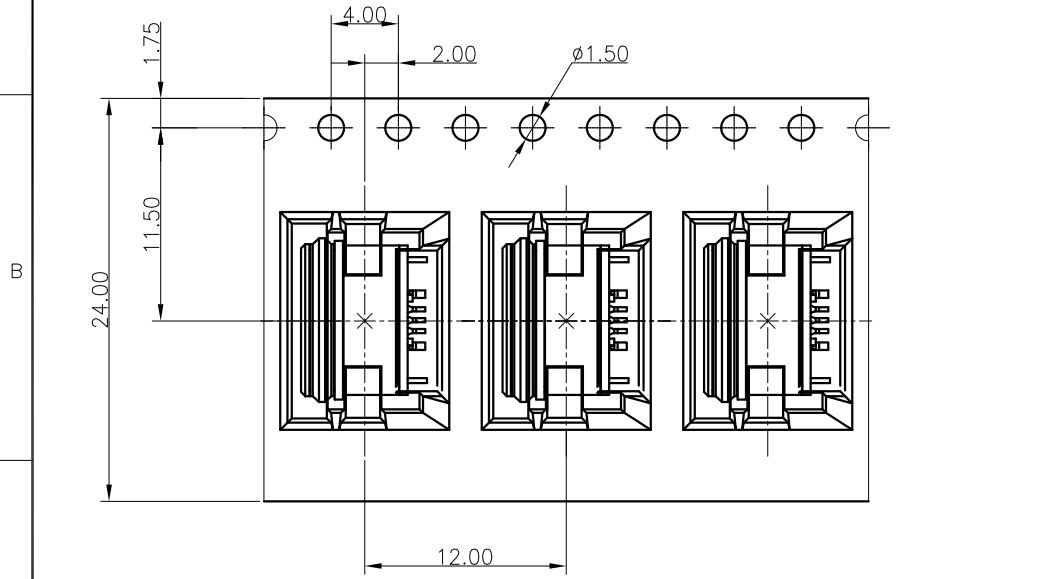
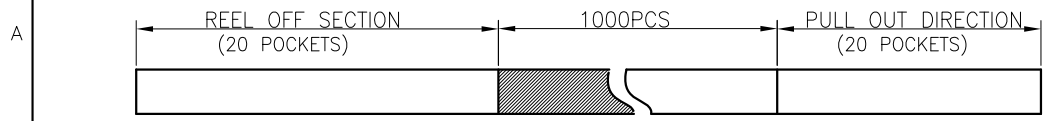
UNLESS OTHERWISE SPECIFIED TOLERANCES

**深圳市虹康科技有限公司**

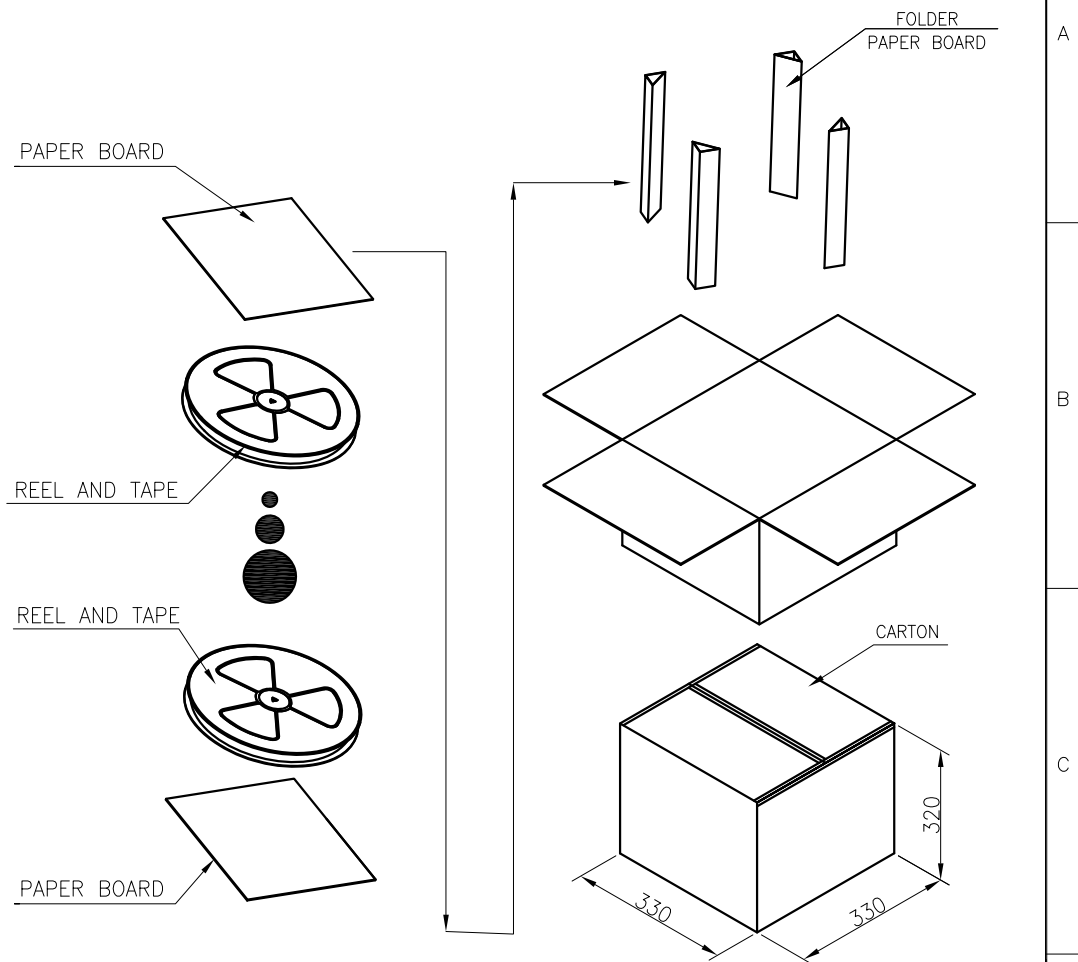
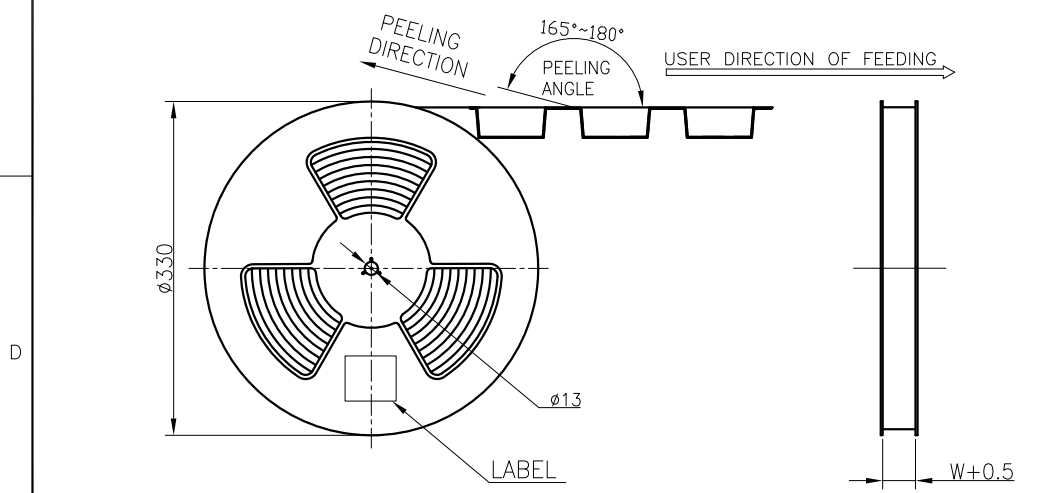
DECIMALS:	ANGLES:	TITLE	MICRO USB 5PIN SMT CONN. RECPACLE		
X :±0.5	X :±2°	DWN chenjun	PART NO. MWR03-39120501-01		
X.X :±0.30	X.X :±1°	CHKD chenjun	SCALE:1:1	UNIT: mm	
X.XX :±0.20		APVD Kevin.d	SIZE: A4	SHEET:1OF1	REV: A
X.XXX :±0.10		DRAW NO. C-DWG-MWR03-01	CUSTOMER COPY		



REV.	ECN NO OR DESCRIPTION	REVISED	DATE
A	PROPOSE ONLY	ERIC	2017.05.05



← PRODUCT PACKAGING DIRECTION  
 CUSTOMER TO USE DIRECTION →



CONN. PART NO.	CONN. QTY./REEL	REEL QTY./CARTON	CONN. QTY./CARTON
MWR03-39120501-01	1000	10	10000 PCS

UNLESS OTHERWISE SPECIFIED TOLERANCES

**深圳市虹康科技有限公司**

DECIMALS:	ANGLES:	TITLE	MICRO USB 5PIN SMT CONN. RECPTACLE		
X : ±0.5	X : ±2°	DWN chenjun	PART NO. MWR03-39120501-01		
X.X : ±0.30	X.X : ±1°	CHKD chenjun	SCALE: 1:1	UNIT: mm	
X.XX : ±0.20		APVD Kevin.d	SIZE: A4	SHEET: 1OF1	REV: A
X.XXX : ±0.10		DRAW NO. C-DWG-MWR03-01	CUSTOMER COPY		