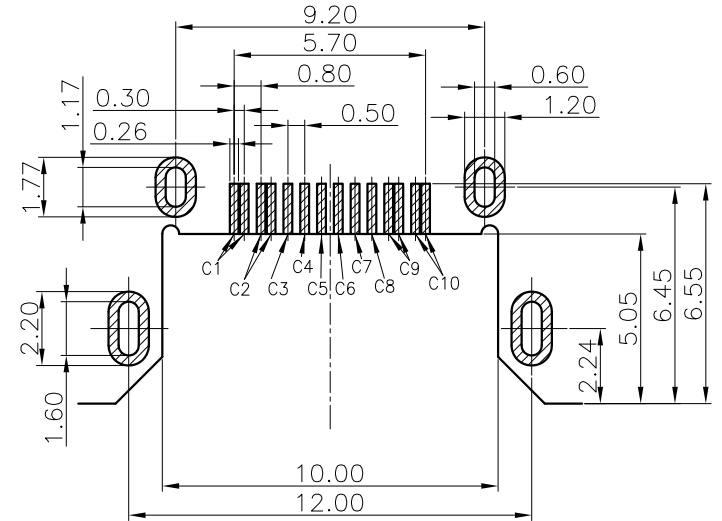
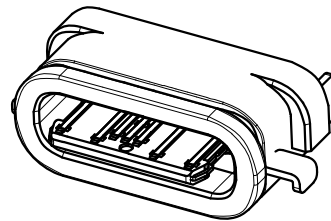
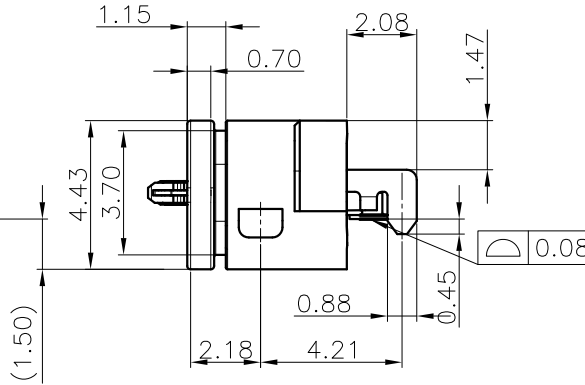
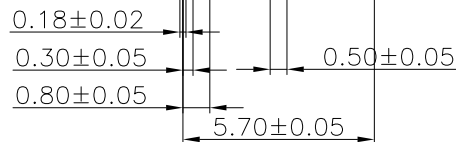
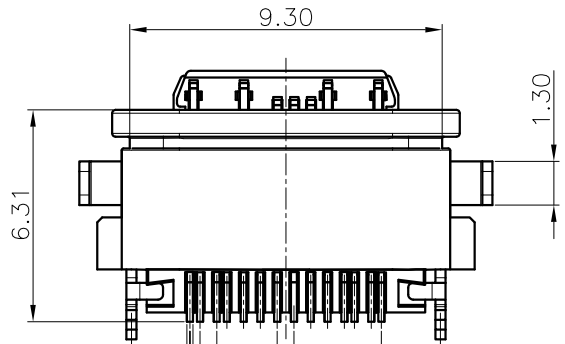
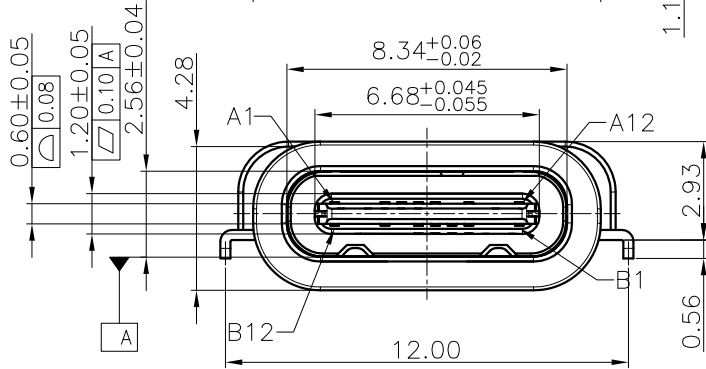
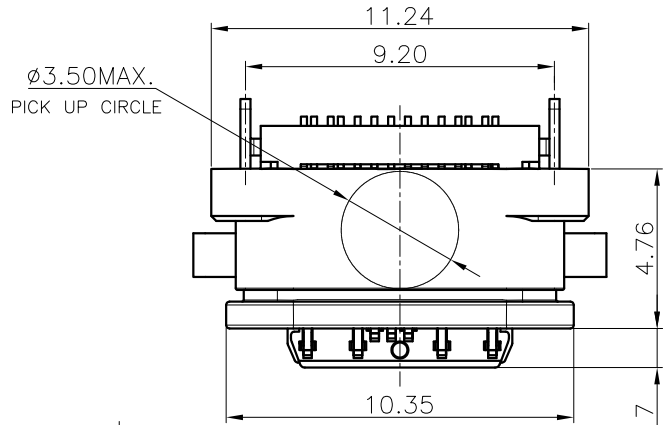




SPECIFICATION:

1. ELECTRICAL CHARACTERISTICS:
 - 1.1 CURRENT RATING: VBUS AND GND CONTACTS RATED AT 2.0A, PARALLELED FOR A TOTAL OF 8A.
 - 1.2 TEMPERATURE RANGE: -40 °C ~ 85 °C
 - 1.3 CONTACT RESISTANCE: 30 MILLIONHM MAX.
 - 1.4 DIELECTRIC WITHSTANDING VOLTAGE: 100 VAC r.m.s
 - 1.5 INSULATION RESISTANCE: 100 MEGOHMS MIN.
2. MECHANICAL CHARACTERISTICS
 - 2.1 INSERTION FORCE: 5~20N
 - 2.2 EXTRACTION FORCE: Initial:8~20N;Durability:8~20N(1000cycles); 6~20N(10000cycles);
 - 2.3 DURABILITY:10,000CYCLES
3. COMPLIANCE WITH Q/KRCONN 005-2012 HAZARDOUS SUBSTANCE MANAGEMENT REQUIREMENTS IN EVERWIN.
4. THE SHELL LENGTH IS LESS THAN THE MINIMUM SPECIFIED BY THE USB TYPE C STANDARD, AS SUCH IS CANNOT INDEPENDENTLY BE GUARANTEED TO MEET ALL TYPE C MECHANICAL REQUIREMENTS.

REV.	ECN NO OR DESCRIPTION	REVISED	DATE
A	PROPOSE ONLY	ERIC	2018.03.21



RECOMMENDED P.C.B LAYOUT (COMPONENT SIDE)

PCB THICKNESS: 0.80±0.05mm
DEFAULT TOLERANCE: ±0.05mm

PIN ASSIGNMENT

PCB No.	C1	C2	C3	C4	C5	C6	C7	C8	C9	C10
PIN No.	A1	A4	A5	A6	A7	B7	B6	B5	A9	A12
	B12	B9							B4	B1
	GND	VBUS	CC1	D+	D-	D-	D+	CC2	VBUS	GND

4	METAL PLATE	STAINLESS STEEL	AFTER STAMPING CLEANING,NO PLATED	1
3	SHELL	STAINLESS STEEL	0.75~2.5 MICRON (30~100u") NICKEL PLATING	1
2	TERMINAL	COPPER ALLOY	0.375 MICRON(15u")MIN GOLD PLATING ON CONTACT AER, 0.025~0.075 MICRON(1~3u") MIN PLATING ON SOLDER TAIL, 1.25~3.75 MICRON(50~150u")NICKEL UNDERPLATING	14
1	HOUSING-1	THEMPPLASTIC	UL 94V-0 BALCK,NO RECYCLED RESIN(PA46)	1
ITEM	DESCRIPTION	METERIAL	FINISHED	Q'TY

UNLESS OTHERWISE SPECIFIED TOLERANCES

DECIMALS: ANGLES:
X :±0.5 X :±2°
X.X :±0.20 X.X :±1°
X.XX :±0.10

深圳市虹康科技有限公司

TITLE	Type: 14PIN RECTACLE Conn Asm. Waterproof level: IP34			
DWN	Johnie	PART NO. FTCOR-290214-07G		
CHKD	Kevin.d	SCALE: 1:1	UNIT: mm	
APVD	Simon.Mo	SIZE: A4	SHEET: 1OF1	REV: A

CUSTOMER COPY