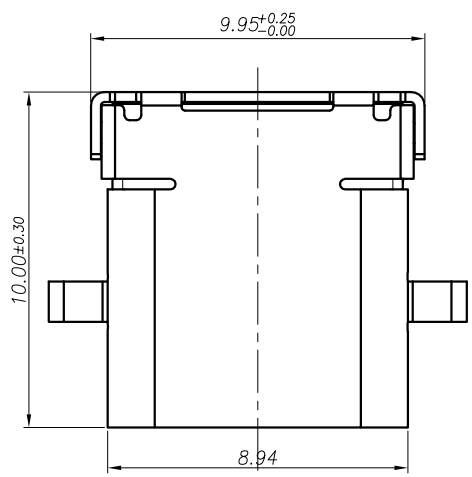


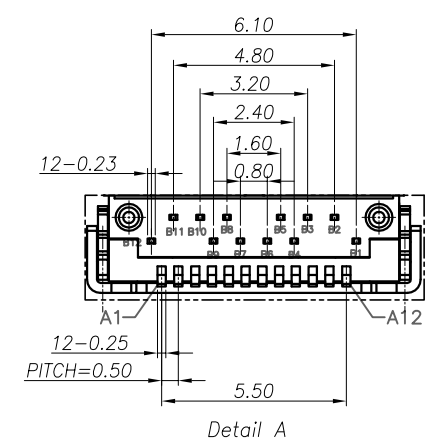
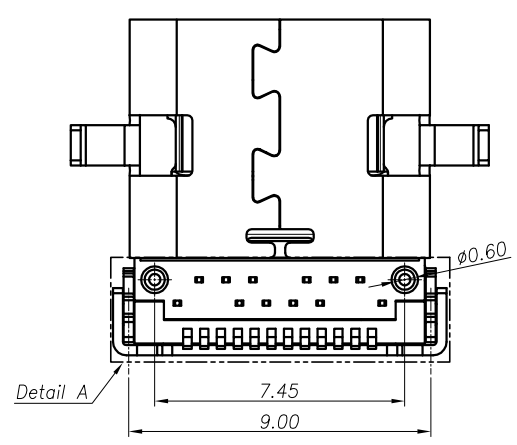
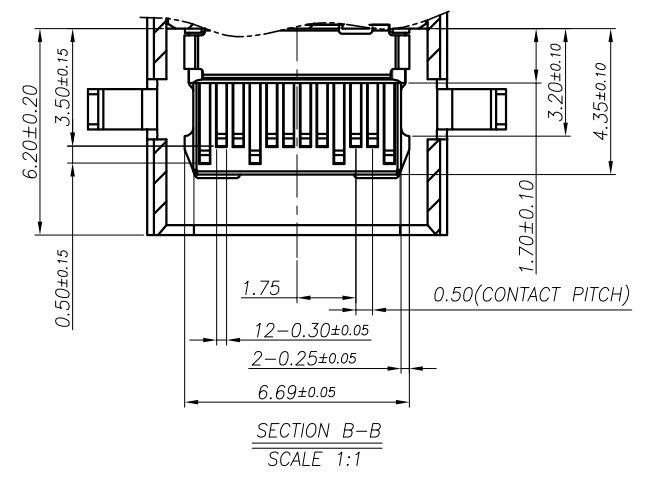
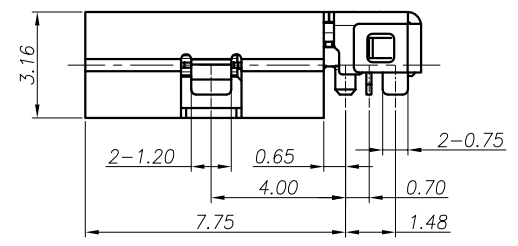
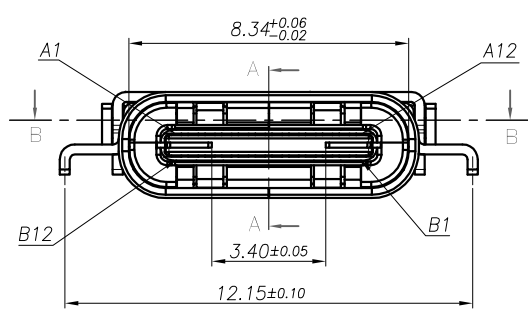
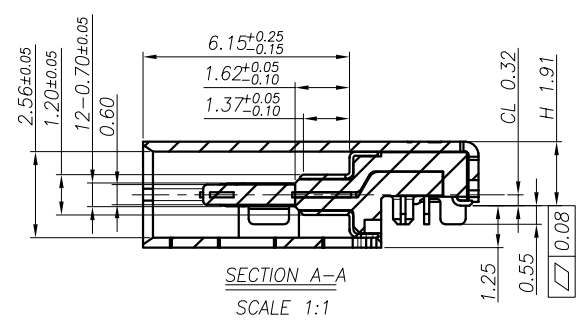
REV.	ECN NO OR DESCRIPTION	REVISED	DATE
A	PROPOSE ONLY	ERIC	2014.09.13



SPECIFICATIONS:

- ELECTRICAL CHARACTERISTICS:**
 - CONTACT RESISTANCE: 30m MAX.Ω
 - DIELECTRIC WITHSTANDING VOLTAGE: 100V AC FOR ONE MINUTE.
 - INSULATION RESISTANCE: 100MΩ MIN. MEASURED BY 500 VDC
- MECHANICAL CHARACTERISTICS:**
 - INSERTION FORCE :0.5~2.0Kgf(REF.)
 - WITHDRAWAL FORCE :0.8~2.0Kgf(REF.)
- LIFE TEST:** 10,000 CYCLES.
- TO CONFORM TO THE KRCONN HAZARDOUS SUBSTANCE FREE SPEC.**
- PART No.:** **MC 1 R - 19 02 24- 09 G**

MC=MICRO USB TYPE C
 0=WITH POST
 R=RECTACLE
 19:HEIGHT 1.9mm
 G=gold flash
 09=SMT+DIP L=10 TYPE
 Pin NO. 24=24Pin
 02=LOW BOARD



E	GND RING	1	STAINLESS STEEL	
D	PLATE	1	STAINLESS STEEL	NICKEL PLATED
C	SHELL	1	STAINLESS STEEL	NICKEL PLATED
B	CONTACT	24	COPPER ALLOY	AU 2u"+Pd-Ni 30u" ON CONTACT AREA AND GOLD FLASH ON SOLDER AREA ALL OVER NICKEL PLATED
A	HOUSING	1	HIGH TEMP. THERMOPLASTIC UL 94V-0	BLACK
NO	DESCRIPTION	QTY	MATERIAL	PLATING & COLOR

UNLESS OTHERWISE SPECIFIED TOLERANCES

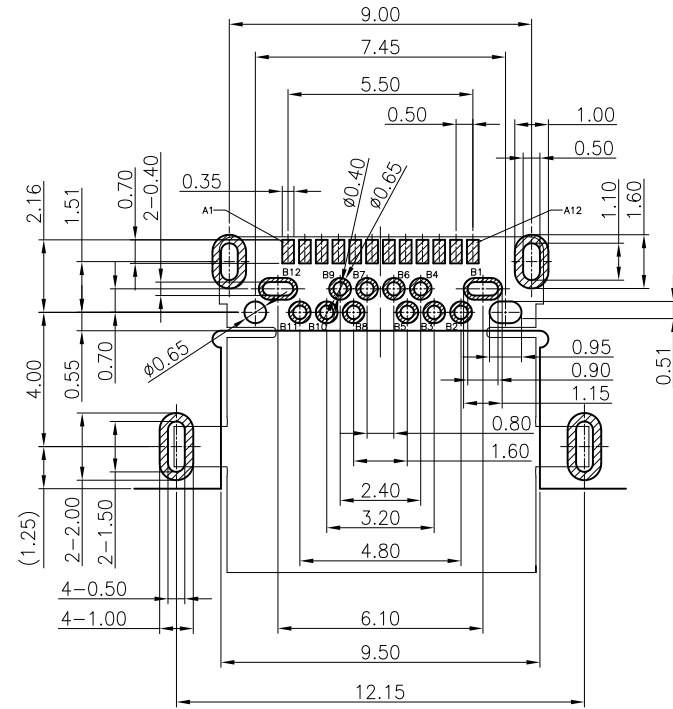
深圳市虹康科技有限公司

DECIMALS:	ANGLES:	TITLE
X :±0.5	X :±2°	Micro USB 3.1(type.C) RECTACLE Conn Asm. LOW PCB 1.25MM TYPE
X.X :±0.20	X.X :±1°	DWN Johnie PART NO. MC1R-190224-09G
X.XX :±0.10		CHKD Kevin.d SCALE:1:1 UNIT: mm
		APVD Simon.Mo SIZE: A4 SHEET:10F1 REV: A

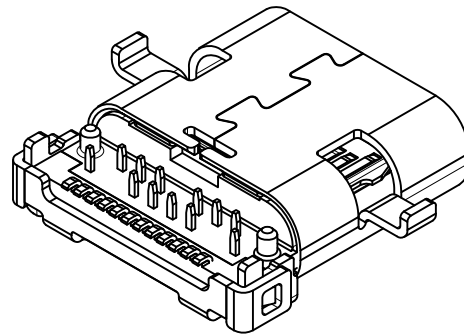
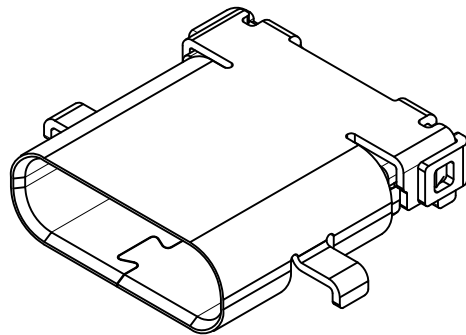
CUSTOMER COPY

REV.	ECN NO OR DESCRIPTION	REVISED	DATE
A	PROPOSE ONLY	ERIC	2014.09.13

	A		B
1	GND	12	GND
2	TX+	11	RX+
3	TX-	10	RX-
4	VBUS	9	VBUS
5	CC	8	RFU
6	D+	7	D-
7	D-	6	D+
8	RFU	5	CC
9	VBUS	4	VBUS
10	RX-	3	TX-
11	RX+	2	TX+
12	GND	1	GND



RECOMMENDED P.C.B. LAYOUT (T:1.00mm)
TOLERANCE UNSPECIFIED ±0.05mm



UNLESS OTHERWISE
SPECIFIED TOLERANCES

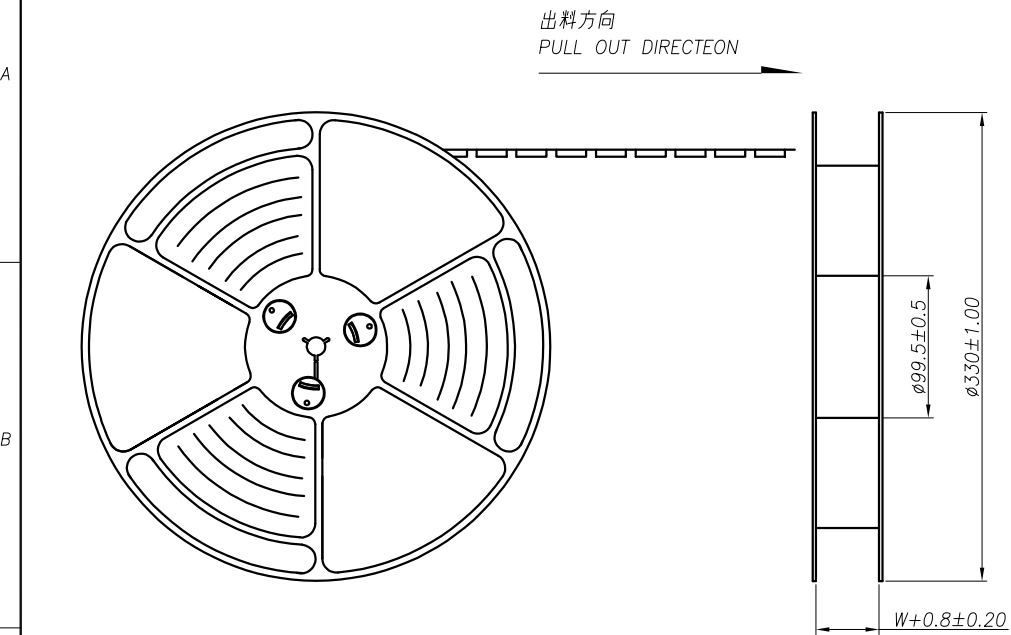
DECIMALS:	ANGLES:
X :±0.5	X :±2°
X.X :±0.20	X.X :±1°
X.XX :±0.10	

深圳市虹康科技有限公司

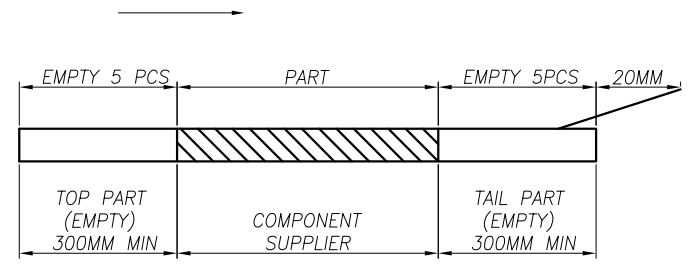
TITLE	Micro USB 3.1(type.C) RECPTACLE Conn Asm. LOW PCB 1.25MM TYPE		
DWN	Johnie	PART NO. MC1R-190224-09G	
CHKD	Kevin.d	SCALE:1:1	UNIT: mm
APVD	Simon.Mo	SIZE: A4	SHEET:10F1
			REV: A

CUSTOMER COPY

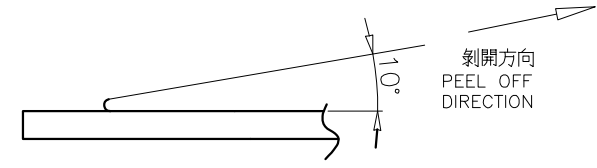
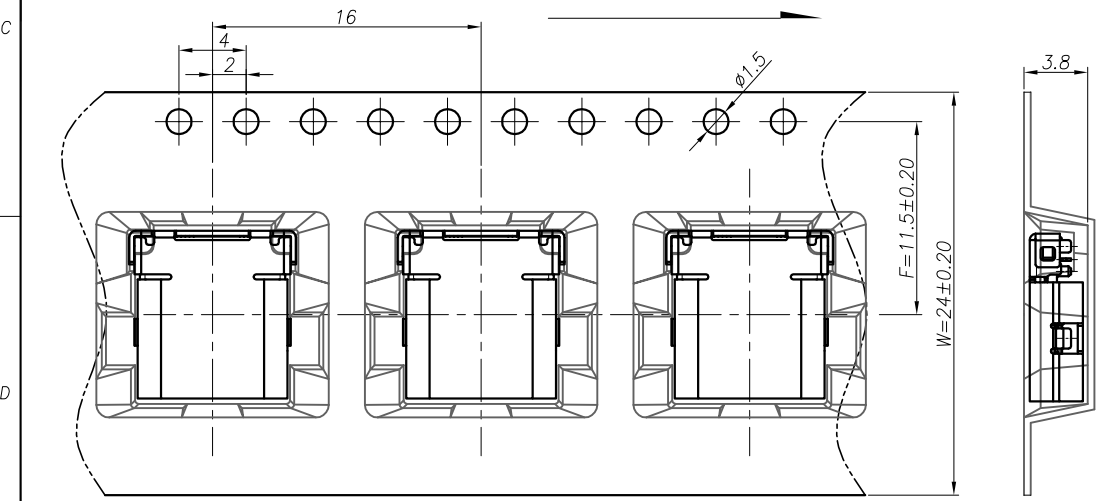
REV.	ECN NO OR DESCRIPTION	REVISED	DATE
A	PROPOSE ONLY	ERIC	2014.09.13




NOTES
 1. 帶子引導長度
 LEAD TAPE LENGTH
 出料方向
 PULL OUT DIRECTEON

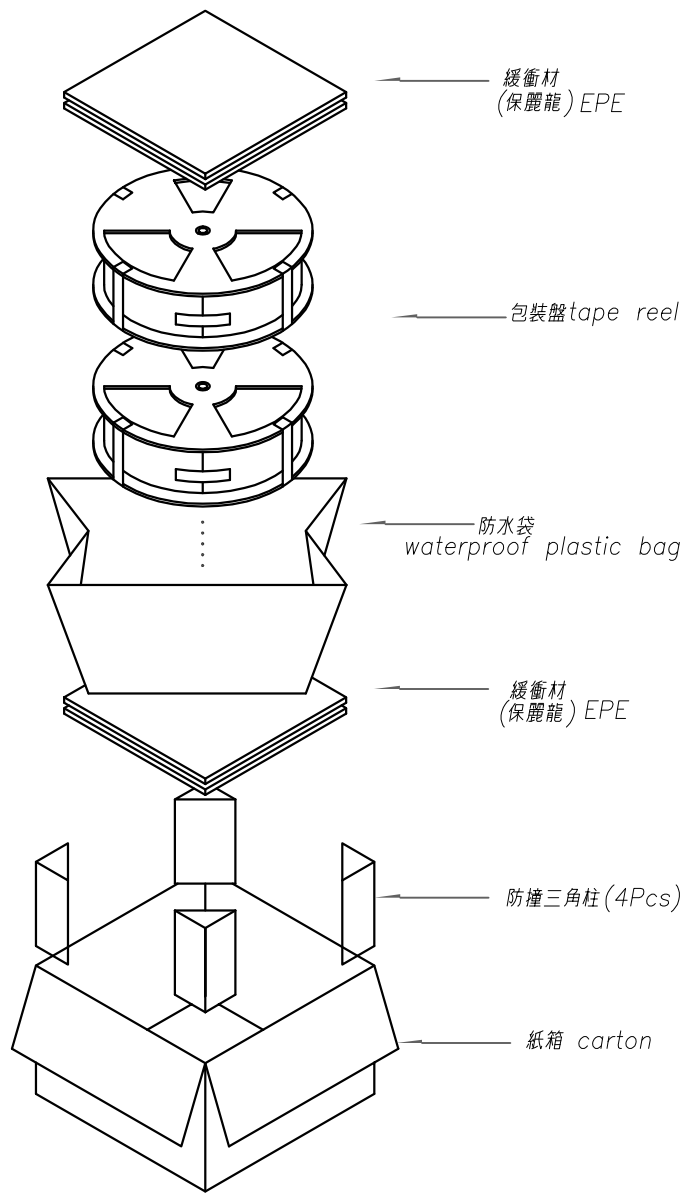


2. 上帶 剝力為: 0.1~1.3N(10.2gf~130gf)
 PEELING OFF FORCE OF TOP TAPE: 0.1~1.3N(10.2gf~130gf)
 出貨'運輸過程中一定注意:
 THIS REQUIREMENT SHOULD BE APPLIED AT SHIPMENT
 卷帶在運輸過程中不能散開
 PEELING OFF SHOULD NOT BE ALLOWED DURING TRANSPORTATION

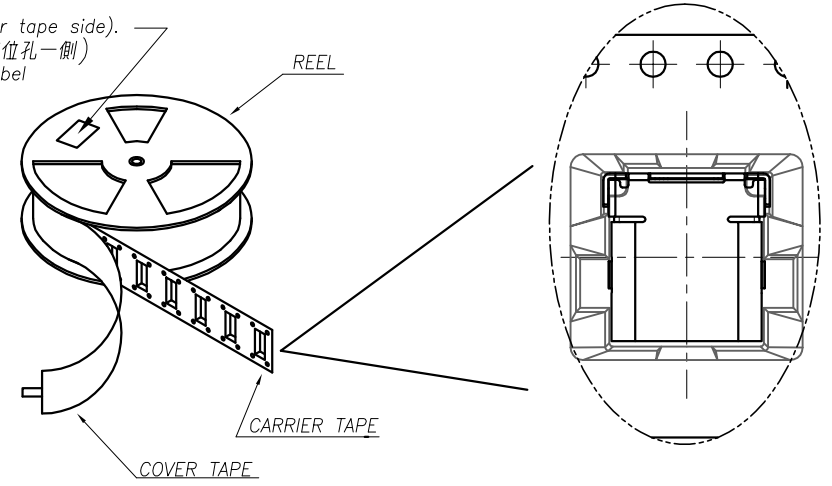


UNLESS OTHERWISE SPECIFIED TOLERANCES		 深圳市虹康科技有限公司 2014.09.13			
DECIMALS:	ANGLES:				
X : ±0.5	X : ±2°	DWN	Johnie	PART NO. MC1R-190224-09G	
X.X : ±0.20	X.X : ±1°	CHKD	Kevin.d	SCALE: 1:1	UNIT: mm
X.XX : ±0.10		APVD	Simon.Mo	SIZE: A4	SHEET: 10F1
		CUSTOMER COPY			

REV.	ECN NO OR DESCRIPTION	REVISED	DATE
A	PROPOSE ONLY	ERIC	2014.09.13




at small positioning hole of the carrier tape side.
 標籤粘貼處 (朝捲裝包材的小定位孔一側)
 Location of label sticking (label)



NOTE:

1. 捲包裝數量及箱裝箱數量如左下表格
Packing q'ty of each reel & carton as below table shown.
2. 以上膠帶覆蓋下包裝帶經包裝機熱熔包裝
Use cover tape to cover and hot melt machine to seal up.
3. 3個紙箱放 2個珍珠棉
Every carton use 2pcs EPE.
4. 將裝滿"品"的卷盤放入紙箱并以膠帶封口
Put reels in the carton and use adhesive tape to seal up.

料號 (PRODUCT No.)	包裝容量 (PACKING CAPACITY)			重量 WEIGHT (Kg)		
	PCS/REEL	REELS/CARTON	PCS/CARTON	N.W./PCS	N.W./BOX	G.W./BOX
MC1R-190224-09G	1000	7	7000			

UNLESS OTHERWISE SPECIFIED TOLERANCES		 深圳市精睿兴业科技有限公司 SHENZHEN KRCONN TECHNOLOGY CO., LTD			
DECIMALS:	ANGLES:	TITLE	Micro USB 3.1(type.C) RECPTACLE Conn Asm. LOW PCB 1.25MM TYPE		
X :±0.5	X :±2°	DWN	Johnie	PART NO. MC1R-190224-09G	
X.X :±0.20	X.X :±1°	CHKD	Kevin.d	SCALE:1:1	UNIT: mm
X.XX :±0.10		APVD	Simon.Mo	SIZE: A4	SHEET:10F1
		REV: A			
CUSTOMER COPY					