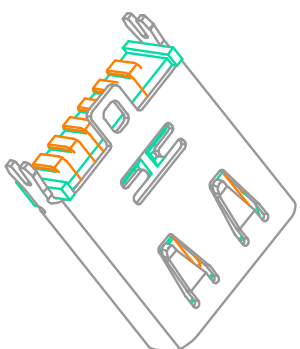
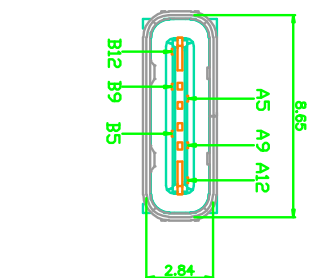


REV.	DESCRIPTION	ECO No.	DATE	DATE
A0	△新板发行		宋高红	2017-02-24



B12	GND
B9	VBUS
B5	CC2
A5	CC1
A9	VBUS
A12	GND
PIN	SIGNAL NAME

NOTES:

1.MATERIAL:

MOLDING: LCP UL94 V-0
 CONTACT: COPPER ALLOY.
 GOLD PLATED Min ON CONTACT AREA: 100u"
 Min TIN (LEAD FREE) ON SOLDER AREA,
 SHELL: SUS304-H1T=0.30±0.03mm
 50u" NICKEL PLATING OVER ALL.

2.MECHANICAL:

INSERTION: 5~20N.
 EXTRACTION: 8~20N AFTER TEST.
 DURABILITY: 10000 CYCLES

3.ELECTRICAL:

CURRENT: 5A FOR VBUS;
 1.25A FOR GND PIN.
 0.25A FOR OTHER.

VOLTAGE: 20 V MAX

WITHSTANDING VOLTAGE: 100V AC R.M.S.

CONTACT RESISTANCE: 40mΩ MAX.

INSULATION RESISTANCE: 100MΩ MIN.

4.ENVIRONMENTAL

TEMPERATURE RANGE -25°C ~ +85°C

5. 尺寸标注事项:

图中有标注⊕者为首样全检, 重点管控尺寸.

6. 产品符合RoHS标准

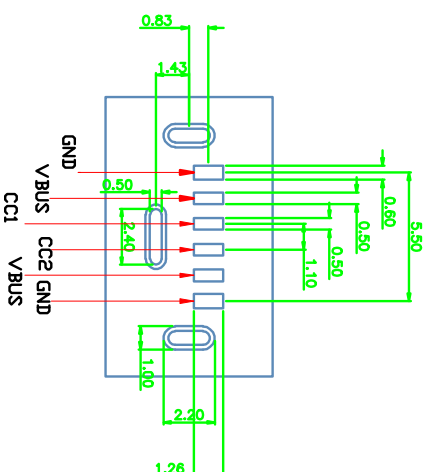
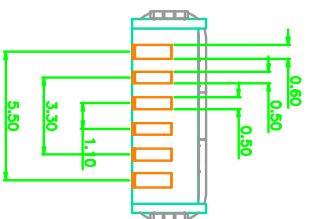
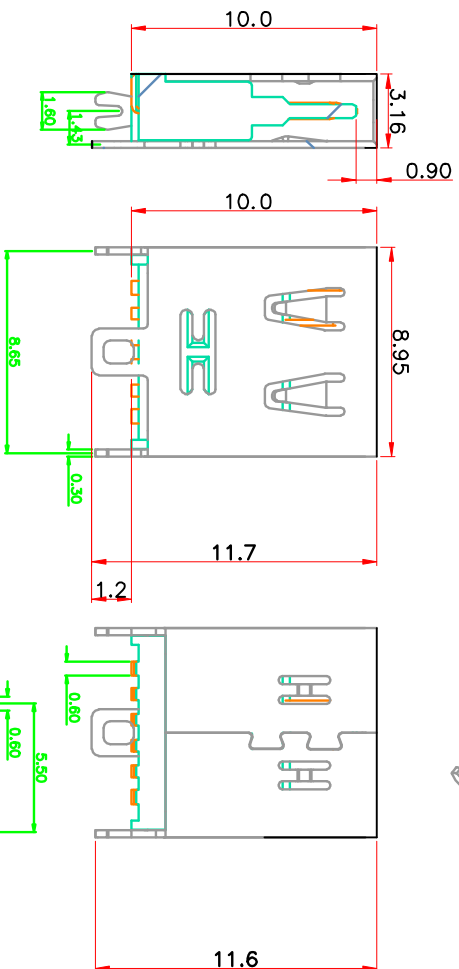


Table:

成品料号	零件名称	零件料号	材料 / 电镀
TX	端子	SUS 304 R-H	NO PLATING
	连接器	SUS 301 R-H	Sn 80~200u"
	外壳	SUS 301 R-H	电镀镍磷体系

深圳市虹康科技有限公司

.X: ±0.35	.X': ±1.5'	INTENDD USE:	TITLE:
.XX: ±0.25	.XX': ±1.0'	CONNECTOR	USB TYPE C 8PIN PLUG 铜镍合金
.XXX: ±0.20	.XXX': ±0.5'	Appd.:	PART NO.:
MATL.:	CHKD.:		SEE TABLE
SEE NOTES			DWG. NO.:
			T16-000X
	DR.: Len Song		SCALE: 1:1
			PAGE: 1/1
			UNIT: mm
			REV.: A0