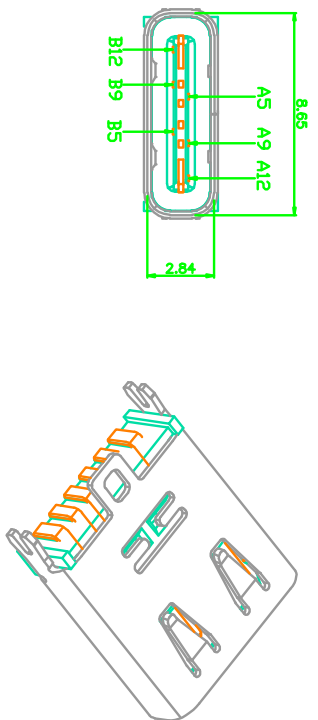


REV.	DESCRIPTION	ECN No.	DATE	DATE
A0	△新板发行		宋高红	2017-02-24



B12	GND
B9	VBUS
B5	CC2
A5	CC1
A9	VBUS
A12	GND
PIN	SIGNAL NAME

NOTES:

1. MATERIAL:
 - MOLDING: LCP UL94 V-0
 - CONTACT: COPPER ALLOY.
 - GOLD PLATED MIN ON CONTACT AREA: 100 μ "
 - MIN TIN (LEAD FREE) ON SOLDER AREA.
 - SHELL: SUS304-H1T=0.30 \pm 0.03mm
 - 50 μ " NICKEL PLATING OVER ALL.
2. MECHANICAL:
 - INSERTION: 5~20N.
 - EXTRACTION: 8~20N AFTER TEST.
 - DURABILITY: 10000 CYCLES
3. ELECTRICAL:
 - CURRENT: 5A FOR VBUS; 1.25A FOR GND PIN. 0.25A FOR OTHER.
 - VOLTAGE: 20 V MAX
 - WITHSTANDING VOLTAGE: 100V AC R.M.S.
 - CONTACT RESISTANCE: 40m Ω MAX.
 - INSULATION RESISTANCE: 100M Ω MIN.
4. ENVIRONMENTAL TEMPERATURE RANGE: -25 $^{\circ}$ C ~ +85 $^{\circ}$ C
5. 尺寸标注事项:
 - 图中有标注 \varnothing 者为首样全检, 重点管控尺寸.
 - 6. 产品符合RoHS标准

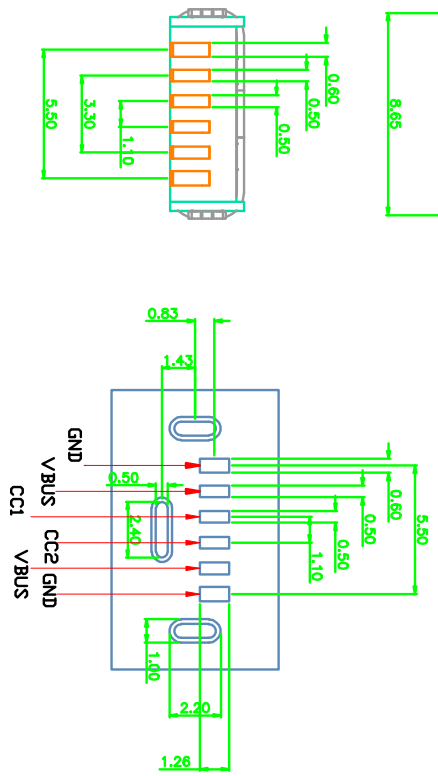
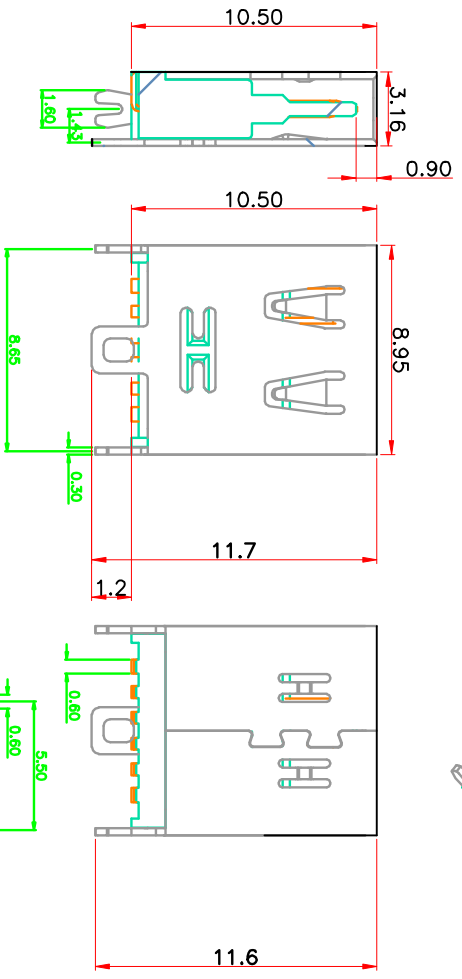
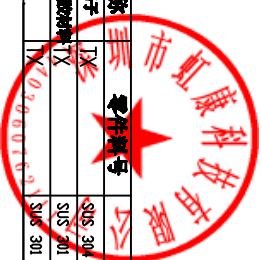


Table:

成品料号	零件名称	零件料号	材料 / 电镀
TX	端子	SUS 304 R-H	NO PLATING
	插壳	SUS 301 R-H	Sn 80~200 μ "
	外壳	SUS 301 R-H	电镀镍磷合金



深圳市虹康科技有限公司

.X: ± 0.35	.X': $\pm 1.5'$	INTENDED USE:	TITLE:
.XX: ± 0.25	.XX': $\pm 1.0'$	CONNECTOR	USB TYPE C 8PIN PLUG 铜镍合金
.XXX: ± 0.20	.XXX': $\pm 0.5'$	Appd.:	PART NO.:
MATL.:	CHKD.:		SEE TABLE
SEE NOTES			DWG. NO.:
			T16-000X
FINISH:	DR.:	Len Song	SCALE: 1:1
			PAGE: 1/1
			UNIT: mm
			REV.: A0